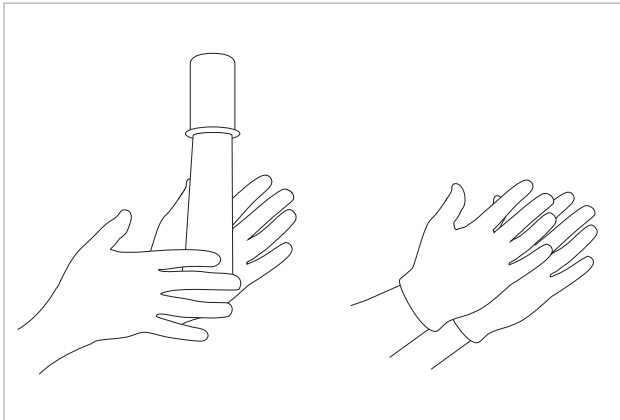


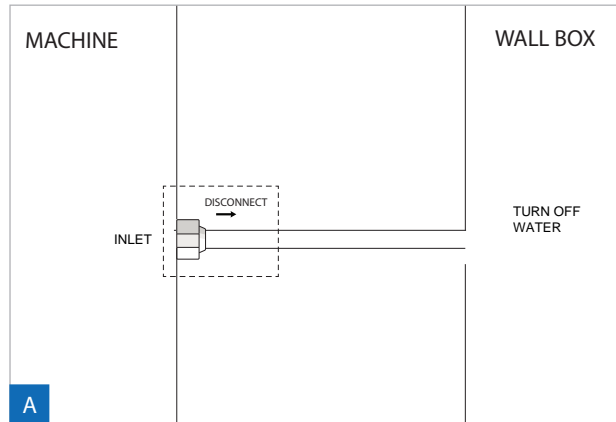
If external cleaning of DSU-D is needed, use 1% BLEACH
¹AVOID contact between filter and the chemical
 alkyl dimethyl benzyl ammonium chloride (ADBAC).

Dual Stage Ultrafilter (DSU-D), Single Stage Ultrafilter (SSU-D) Installation Guide for Hemodialysis Quality Water

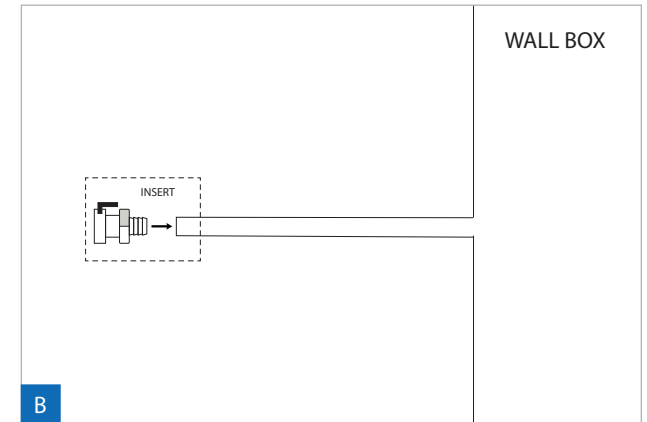
See DSU-D and SSU-D Instructions for Use



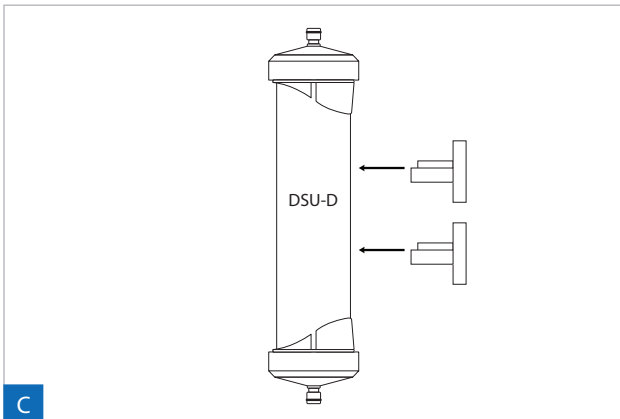
1. WASH hands before starting installation.
2. WEAR latex gloves before handling filter.
3. Hand sanitizers used in healthcare can effect performance of product material.¹



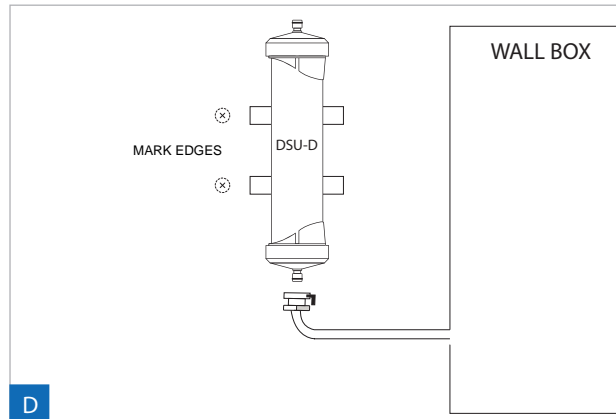
1. Turn OFF the water supply to the dialysis machine from wall box or RO outlet.
2. DISCONNECT water inlet hose from back of dialysis machine and replace with a new hose.



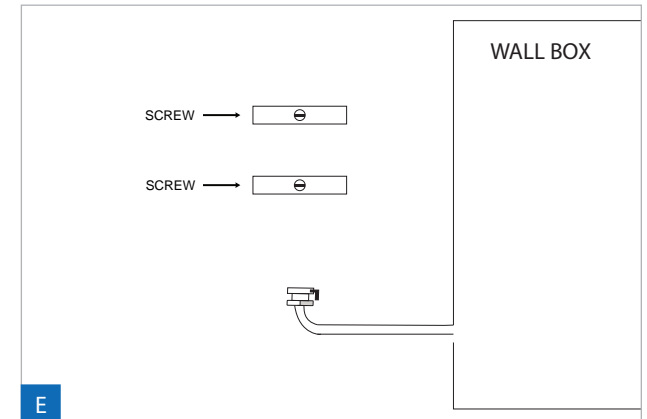
1. INSERT a quick connector to the free end of the old hose previously disconnected from the dialysis machine.



1. PRESS both clips (one clip for SSU) into the DSU filter.

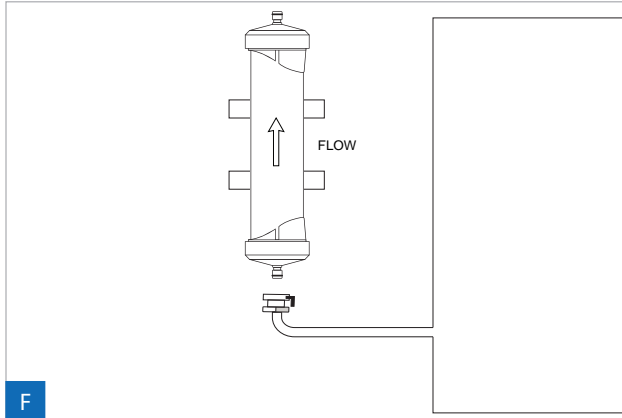


1. Place the filter vertically against wall near wall box or on frame of individual RO cart in the position it will be mounted.
2. MARK the edges of the clips at their locations.

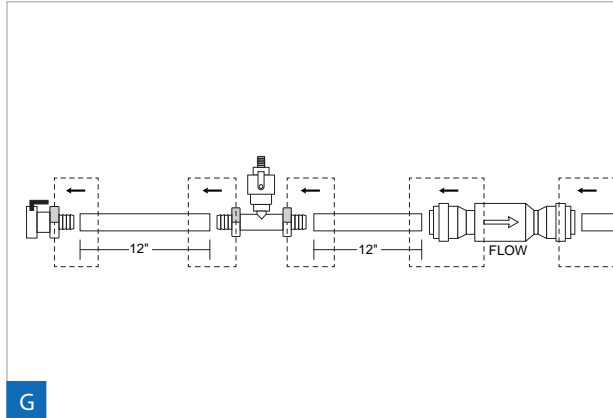


1. DRILL holes for the screws and MOUNT the clips with their enclosed screws.

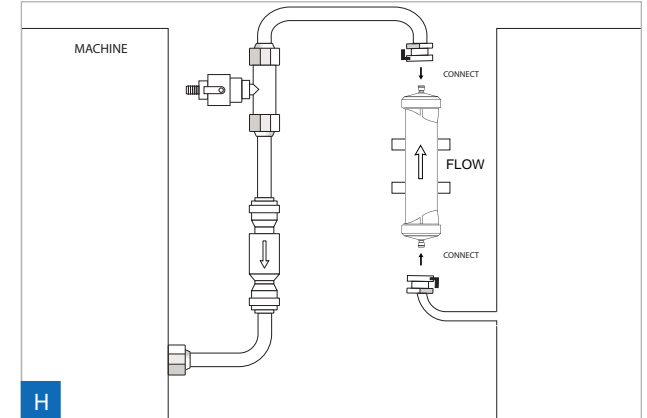
¹The chemical ADBAC can cause structural damage to filter.



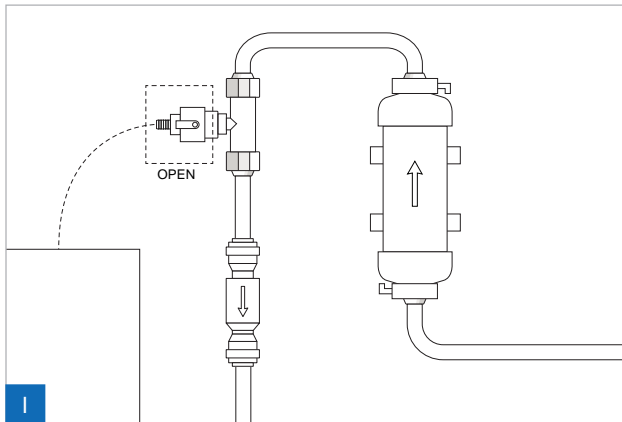
- F**
1. PRESS the filter into the clips so that the direction of flow is towards the water flow, which is towards the dialysis machine.



- G**
1. CONNECT quick connector to a new tubing line.
 2. CONNECT a sample port approximately 12" away from the quick connector.
 3. CONNECT a check valve approximately 12" from the sample port.
 4. CONNECT the other end of the check valve to the new tubing line made in a previous step that's feeding into the dialysis machine.
 5. The direction of flow of the check valve should be pointed toward the water flow, which is towards the dialysis machine.



- H**
1. CONNECT the water line from wall box or RO outlet with the quick connector to the filter's inlet.
 2. CONNECT the quick connector on the new tubing made in the previous steps, to the filter's outlet.



- I**
1. TURN ON the water supply and KEEP OPEN the sample port valve to purge air out of the filter for 10 minutes. PLACE a bucket under the sample port as water will be exiting.
 2. CLOSE the sample port valve after purging the air out.
 3. DISINFECT the lines downstream of the DSU-D (or SSU-D) as per standard clinic procedures before putting the dialysis machine to use.