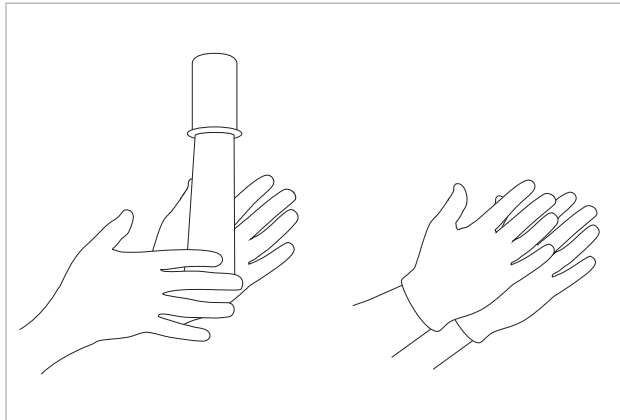


**AVOID contact between filter and the chemical alkyl dimethyl benzyl ammonium chloride (ADBAC)<sup>1</sup>.**

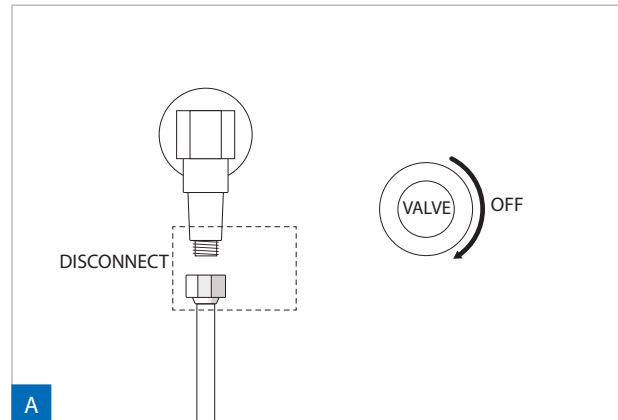
If external cleaning of the DSU-H is needed, use a low % bleach cleaner such as Clorox<sup>®</sup> Healthcare Bleach Germicidal, or Dispatch<sup>®</sup> Hospital Cleaner Disinfectant Towels with Bleach.

## Dual Stage Ultrafilter (DSU-H) Shower Installation Guide

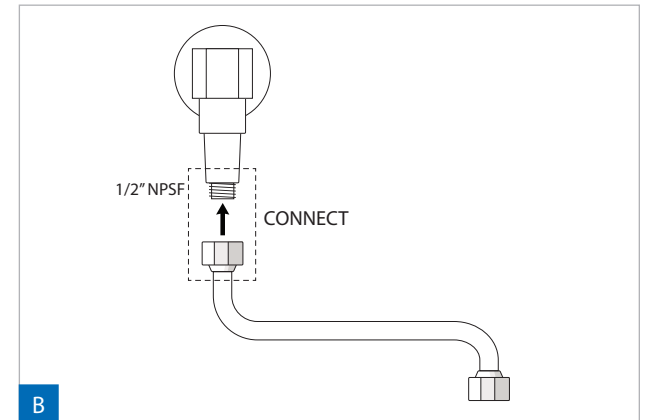
See DSU-H Instructions for Use



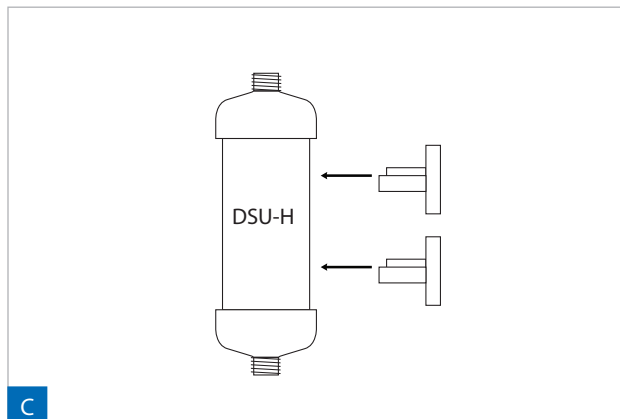
1. WASH hands before starting installation.
2. WEAR latex gloves before handling filter.
3. Hand sanitizers used in healthcare can effect performance of product material.<sup>1</sup>



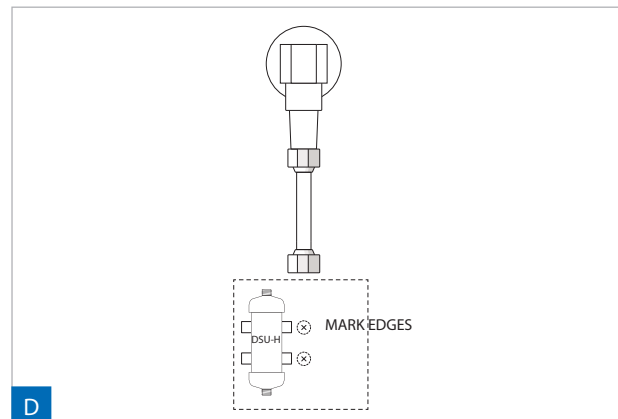
1. TURN OFF the shower valve.
2. DISCONNECT and REMOVE the existing shower head and hose from the water supply pipe.



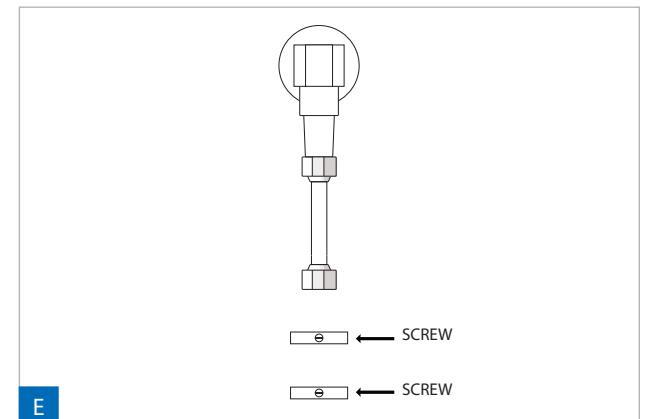
1. CONNECT a new flex line by the 1/2" NPSF fitting to the water supply pipe.



1. CLIP both c-clamps around the filter.

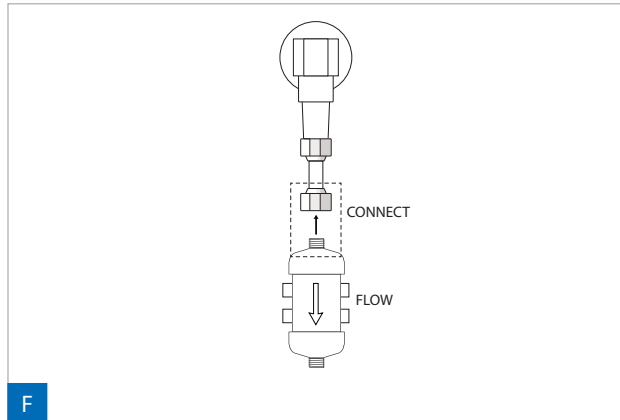


1. PLACE filter vertically against a surface near the water supply pipe in a position that the flex line is not stretched.
2. MARK the edges of the c-clamps at their location.

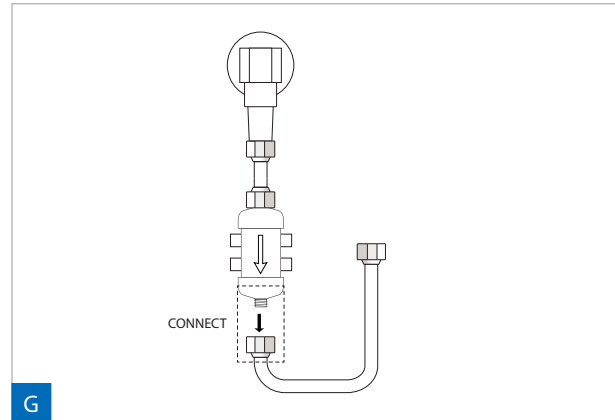


1. MOUNT the c-clamps with 2 screws (one each), lining up the edges of the c-clamps with the marks previously made.

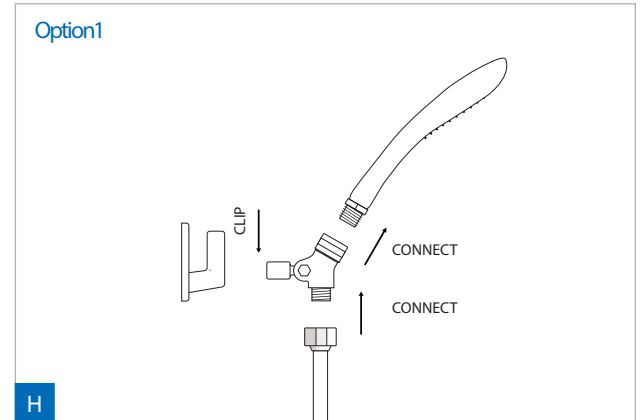
<sup>1</sup> The chemical ADBAC can cause structural damage to filter.



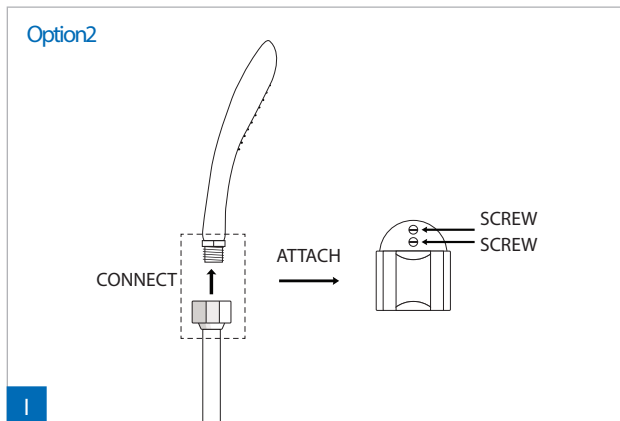
1. CLIP the filter so the FLOW direction is towards the flow of water, pointing away from the water supply pipe.
2. CONNECT the water supply pipe flex line to the inlet of the filter.



1. CONNECT the shower hose to the outlet of the filter.
2. Refer to either Option 1 or Option 2 for connection to shower head.



1. CONNECT the female connector on the shower hose to the Swivel Connector.
2. CONNECT the male connector on the swivel connector to the shower head.
3. CLIP the attachment on the swivel connector onto the existing shower hook.
4. TURN ON the water supply and allow water to run for a few minutes to purge all the air out of the filter.
5. CHECK for leaks and tighten any fittings if necessary.



1. CONNECT the other end of the shower hose to the hand shower head.
2. MOUNT the shower holder by its screws at desired position for holding the hand shower head.
3. TURN ON the water supply and allow water to run for a few minutes to purge all the air out of the filter.
4. CHECK for leaks and tighten any fittings if necessary.