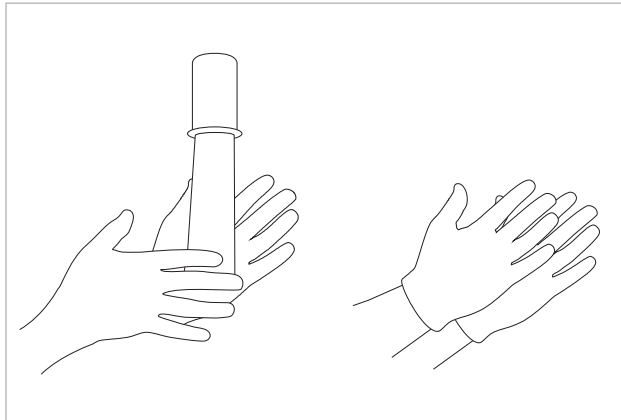


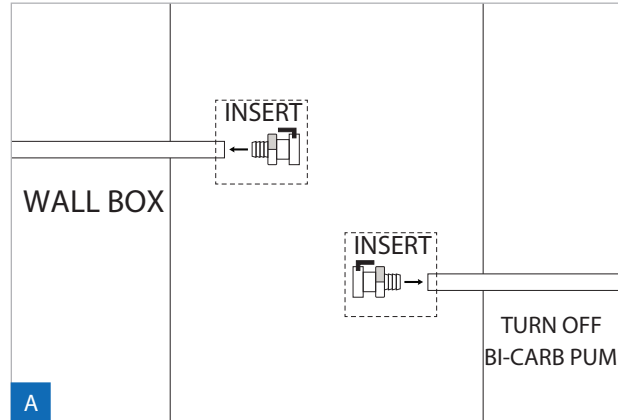
If external cleaning of filter is needed, use 1% BLEACH
 AVOID contact between filter and the chemical
 alkyl dimethyl benzyl ammonium chloride (ADBAC).¹

Single Stage Ultrafilter (SSU-D), Single Stage Mini (SSUmini) Installation Guide for Quality Bi-Carbonate

See SSU-D and SSUmini Instructions for Use

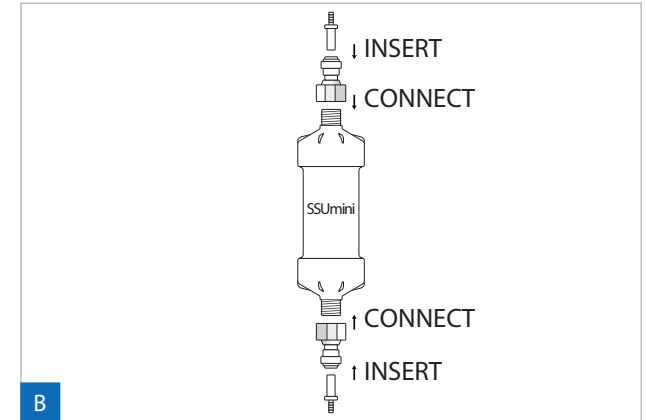


1. WASH hands before starting installation.
2. WEAR gloves before handling filter.
3. Hand sanitizers used in healthcare can effect performance of product material.¹



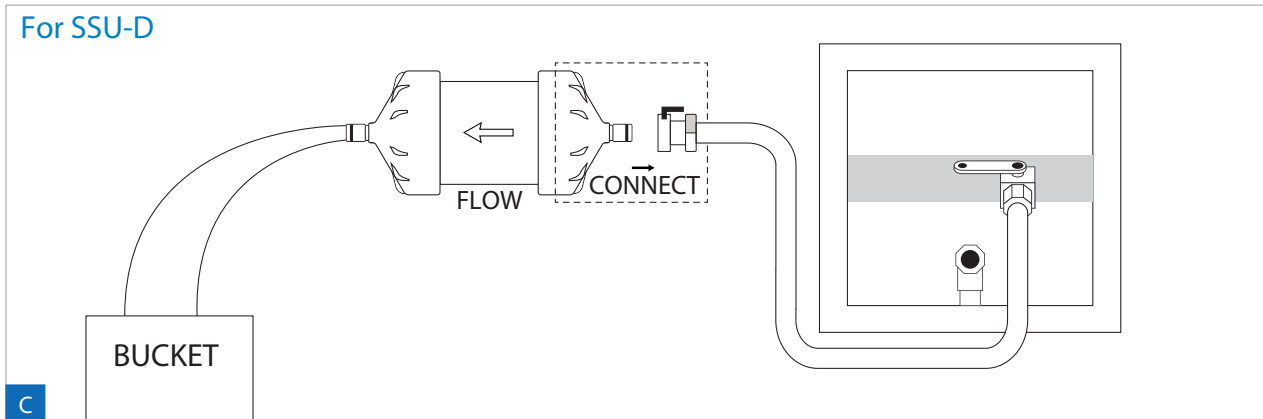
1. TURN OFF the central bi-carb pump.
2. Behind the wall box cut the bicarb tube between the loop outlet port and the wall box bi-carb receptacle inlet.

*If using a SSU-D:
 3. INSERT a quick connector into both ends of the open tubes.



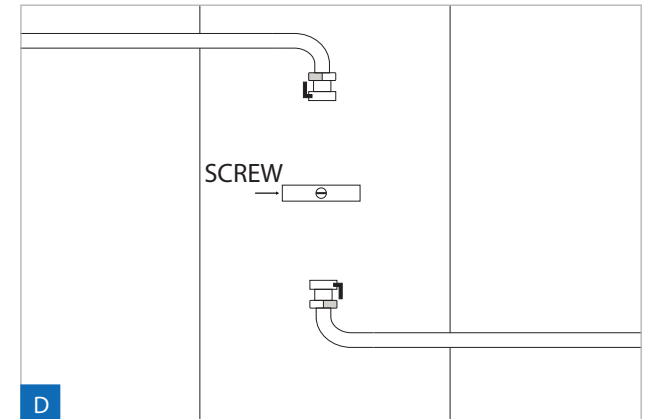
Only if using SSUmini:

1. If necessary, CONNECT the John-Guest to threaded connectors onto the inlet and outlet side of the SSUmini.
2. INSERT the tube fitting into the opening of the John-Guest adapter. Be sure to insert the tube fitting so that it is secure into the connector and check by tugging at the tube fitting.



1. If using an SSU-D it is necessary to first PRIME the filter using an RO water source.
2. If a quick connector is not in place on the RO line (e.g. for a DSU-D filter) an adapter line will need to be used.
3. TURN OFF the RO water at the wall box and disconnect the line leading to the dialysis machine.

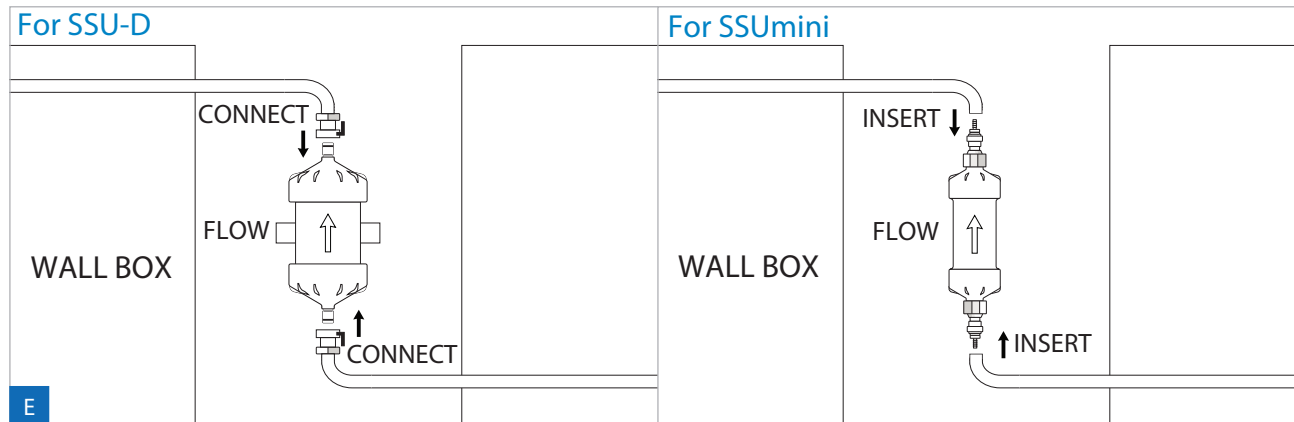
4. CONNECT a line to the wall box outlet using the appropriate connector (quick connect, garden hose fitting, etc.). The other end of the line will terminate in the APC quick connector.
5. PLACE a bucket under the filter's outlet as water will be exiting the filter.
6. CONNECT the SSU-D to the quick connector.
7. TURN ON the RO water and allow filter to PRIME for at least 2 minutes.



Only if using SSU-D:

1. SELECT a location against the wall near the wall box in the position the filter will be mounted.
2. DRILL a hole for the one screw of the c-clip and MOUNT the clip with its enclosed screw.

¹The chemical ADBAC can cause structural damage to filter.


E

1. For the SSU-D, PRESS the filter into the c-clip so the direction of flow is towards wall box.
2. For the SSU-D, CONNECT the quick connector from the bi-carb pump line to the inlet of the filter.
3. For the SSU-D, CONNECT the quick connector from the wall box bicarb receptacle to the outlet of the SSU-D.
4. For the SSUmini, the FLOW of the filter should be in the direction towards the wall box.
5. For the SSUmini, INSERT the barb fitting from the inlet of the filter into the bi-carb pump line.
6. For the SSUmini, INSERT the barb fitting of the outlet of the SSUmini into the tube from the wall box bi-carb receptacle.
7. PRIME the bi-carb line by connecting a fitting to the bi-carb receptacle on the wall box. PRIME the line till bi-carb is seen leaving the tube.