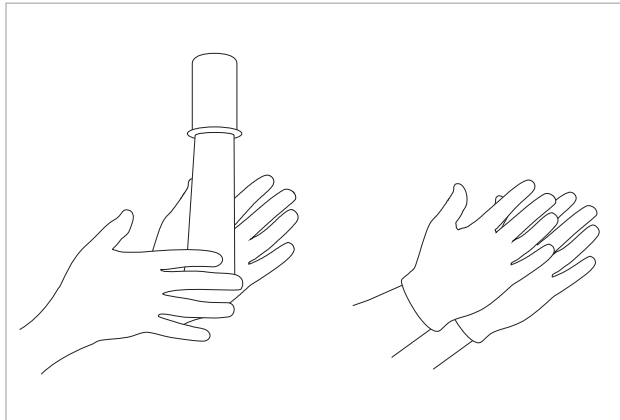


AVOID contact between filter and the chemical alkyl dimethyl benzyl ammonium chloride (ADBAC)¹.

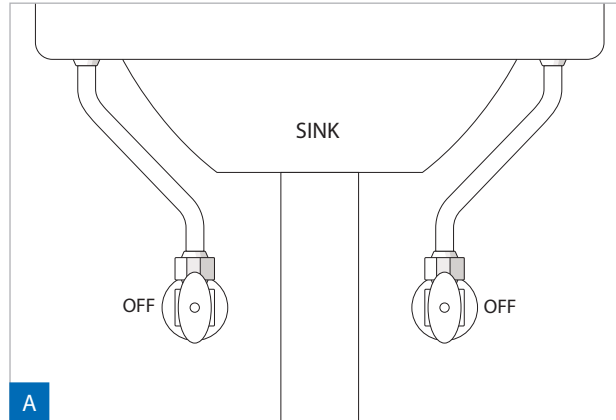
If external cleaning of the DSU-H is needed, use a low % bleach cleaner such as Clorox[®] Healthcare Bleach Germicidal, or Dispatch[®] Hospital Cleaner Disinfectant Towels with Bleach.

70-0285 Dual Stage Ultrafilter (DSU-H) Sink Installation Guide

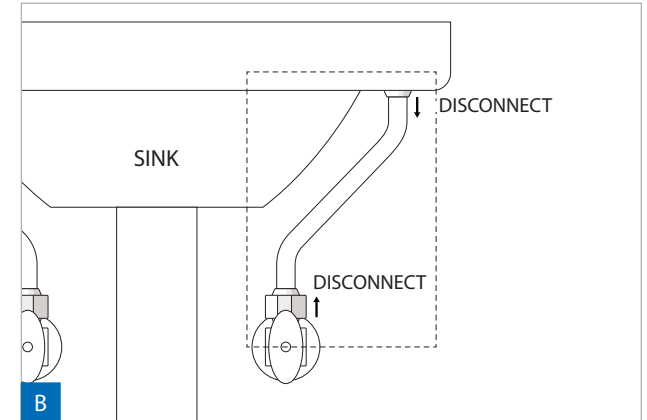
See DSU-H Instructions for Use



1. WASH hands before starting installation.
2. WEAR latex gloves before handling filter.
3. Hand sanitizers used in healthcare can effect performance of product material.¹

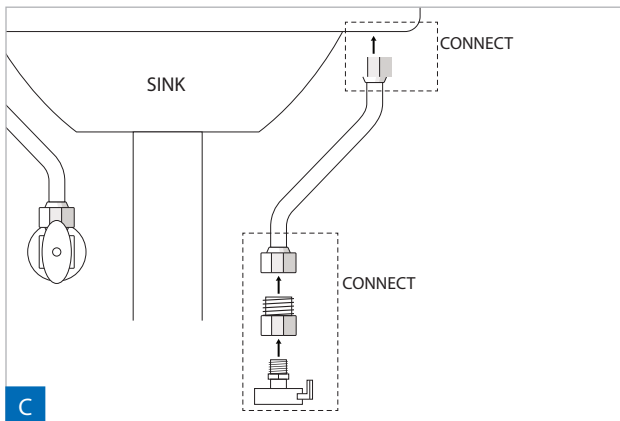


1. Turn OFF the water supply valves and OPEN the faucet valves.

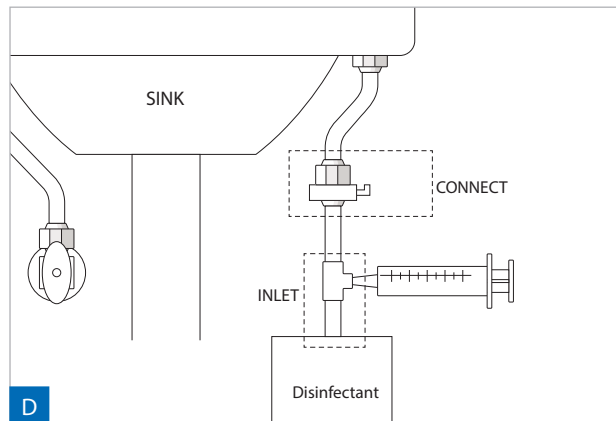


1. DISCONNECT, REMOVE, and DISCARD the current flex lines on both sides of sink.
2. REMOVE and DISCARD the aerator (connected to spout).

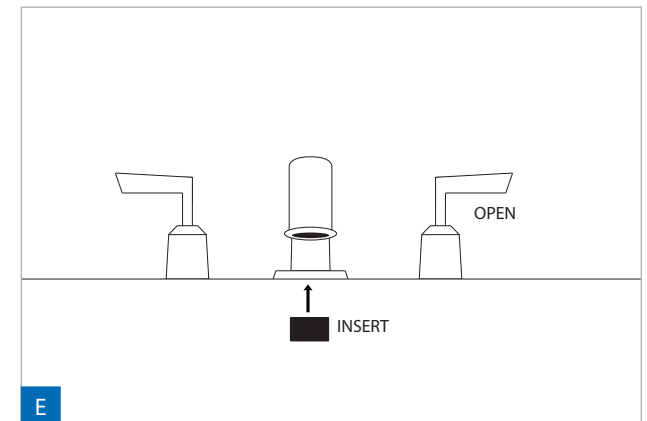
Perform steps for cold and hot sides of sink.



1. CONNECT the faucet stem flex line to the faucet stem by the ½" NPSF fitting.
2. CONNECT the quick connector with bushing onto the other end of the faucet stem flex line.

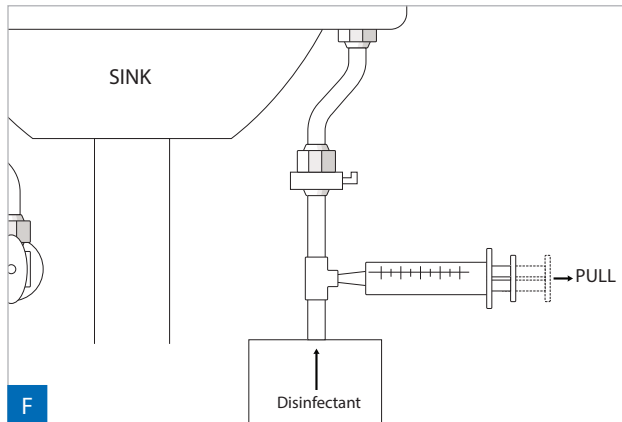


- Clorox[®] Healthcare Bleach Germicidal Cleaner is the recommended disinfectant choice.
1. CONNECT the outlet of the faucet disinfection unit to the faucet stem flex line quick connector.
 2. PLACE the inlet hose of unit into germicidal disinfectant container.

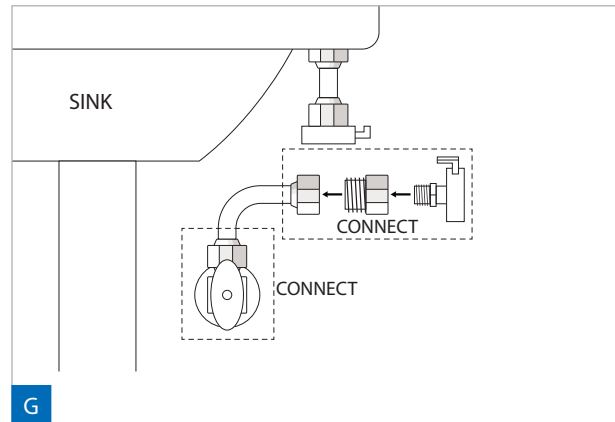


1. OPEN the faucet valve.
2. INSERT a piece of gauze at end of spout.

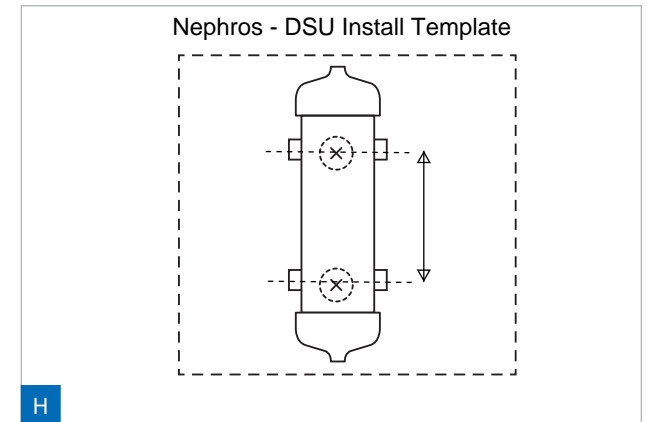
¹ The chemical ADBAC can cause structural damage to filter.



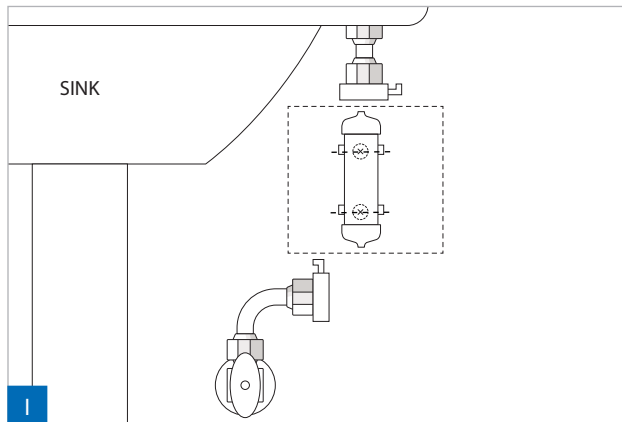
1. PULL out syringe plunger to draw the germicidal disinfectant.
2. DELIVER the disinfectant by pushing in the syringe and continue till disinfectant is seen coming out of spout.
3. ALLOW disinfectant to dwell in faucet hardware for maximum 10 minutes.
4. DISCONNECT the unit from the flex line and if gauze has fallen out of spout, place back in spout so that it is there when performing disinfection for the other side of sink.



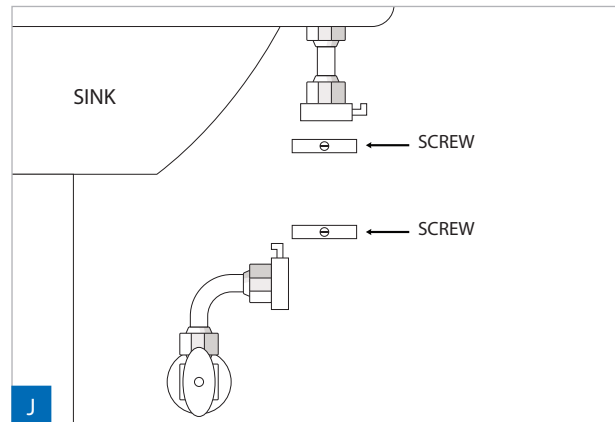
1. CONNECT the water valve flex line to the water valve by the 3/8" compression fitting.
2. CONNECT a quick connector with bushing to the other end of the water valve flex line.
3. TURN ON the water source to assure there are no leaks, then turn water source back off.



1. ATTACH the DSU template (provided in installation kit) vertically against the wall in a desired position to ensure that both flex lines are not stretched.

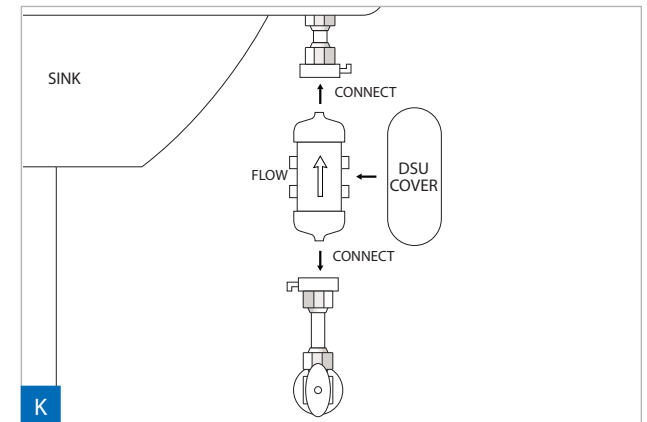


1. MARK the hole locations of the c-clips on the wall.



1. MOUNT the c-clamps with 2 screws (1 each).

Be sure to use gloves when handling filter and avoid contact with any disinfectant other than the recommended options.



1. CLIP filter so the flow symbol on filter is toward faucet.
2. CONNECT the water valve flex line to the inlet of filter.
3. CONNECT the faucet stem flex line to the outlet of filter.
4. OPEN water supply valves and faucet valves to allow water to run for several minutes to flush out germicidal disinfectant and purge air out of the system, (approximately 3 minutes).
5. USE residual test strips on running water, as the residual disinfectant levels should not exceed 4ppm.
6. CLOSE the faucet valves and CHECK for any leaks. Tighten any fittings if necessary.

*Optional: PRESS ON the DSU Cover onto the DSU to shield the filter after completing previous instructions.

***It is recommended to PUSH ON a Nephros Inc. DSU Cover to shield the Filter after installment.**