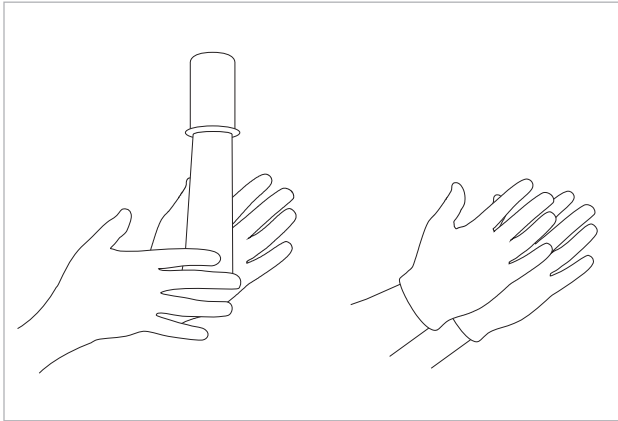
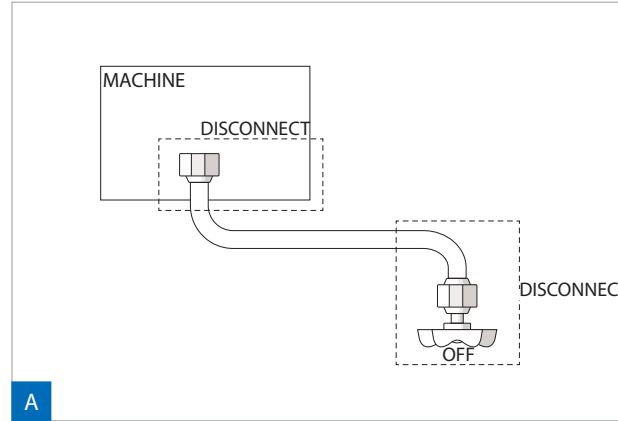


If external cleaning of the DSU-H is needed, use a low % bleach cleaner such as Clorox<sup>®</sup> Healthcare Bleach Germicidal, or Dispatch<sup>®</sup> Hospital Cleaner Disinfectant Towels with Bleach.

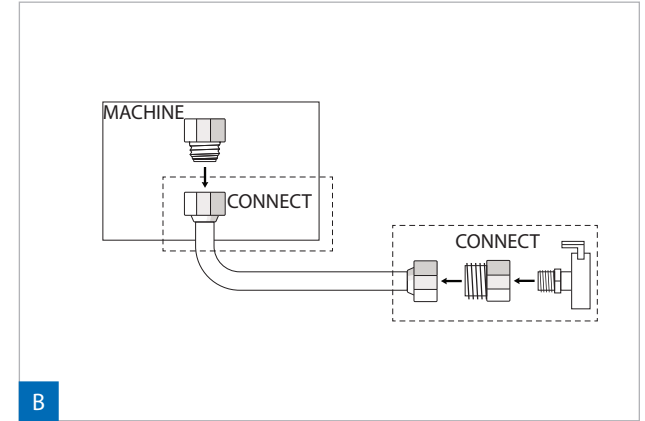
See SSU-H Instructions for Use



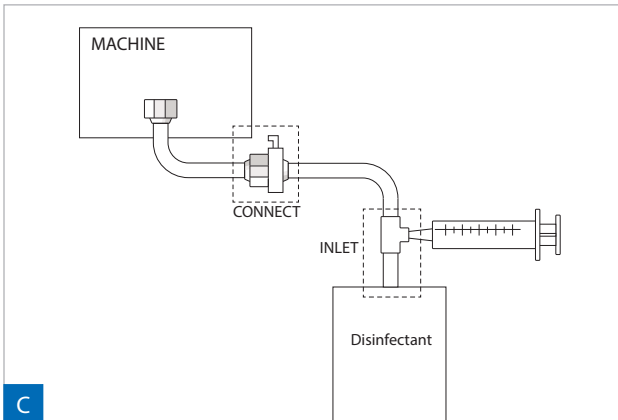
1. WASH hands before starting installation.
2. WEAR latex gloves before handling filter.
3. Hand sanitizers used in healthcare can effect performance of product material.<sup>1</sup>



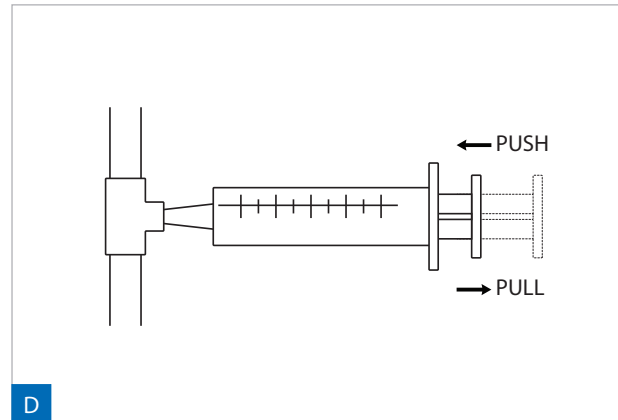
1. TURN OFF the water supply valve.
2. DISCONNECT the supply line from the machine's inlet and water valve.



1. CONNECT a new flex line to the machine's inlet.
2. CONNECT the quick connector with bushing to the other end of flex line.

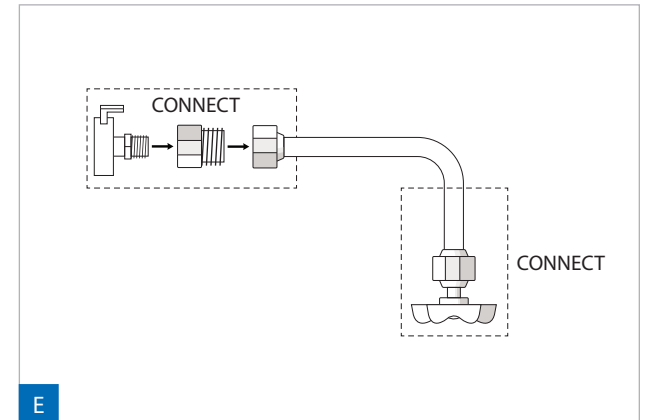


- Clorox<sup>®</sup> Healthcare Bleach Germicidal Cleaner is the recommended disinfectant choice.
1. CONNECT the outlet of machine disinfection unit to the machine flex line quick connector.
  2. PLACE the inlet hose of unit into germicidal disinfectant (e.g. BLEACH) container.
  3. PLACE a cup under the water dispenser and keep OPEN the dispenser. This is to vent the machine and allow for disinfectant to fill.



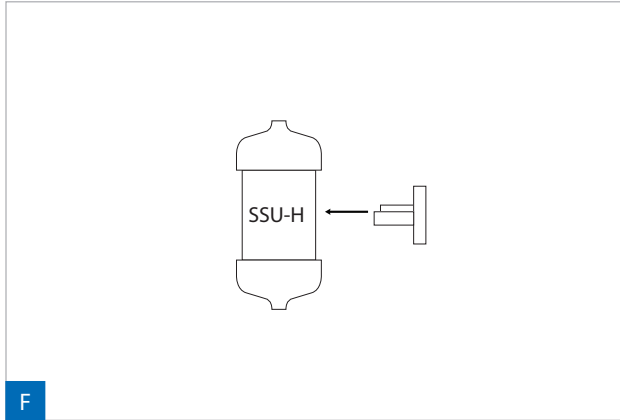
1. PULL out syringe plunger to draw the germicidal disinfectant.
2. PUSH the plunger to deliver the disinfectant and continue till disinfectant is seen coming out of the machine's dispenser.

DISCONNECT the unit from the flex line.  
CONTINUE to next steps to allow the disinfectant to dwell in machine. It should dwell for a maximum of 10 minutes.

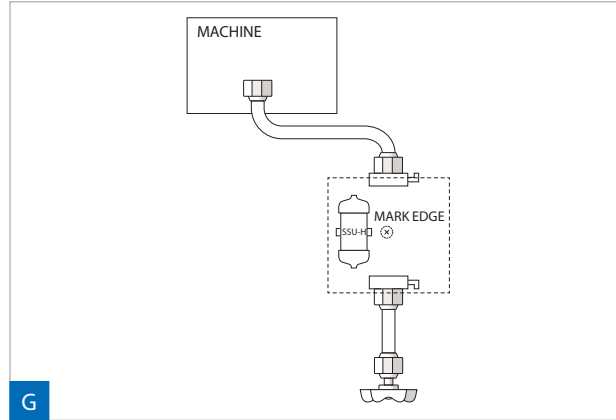


1. CONNECT a new flex line to the water valve.
2. CONNECT the quick connector with bushing to the other end of the flex line.

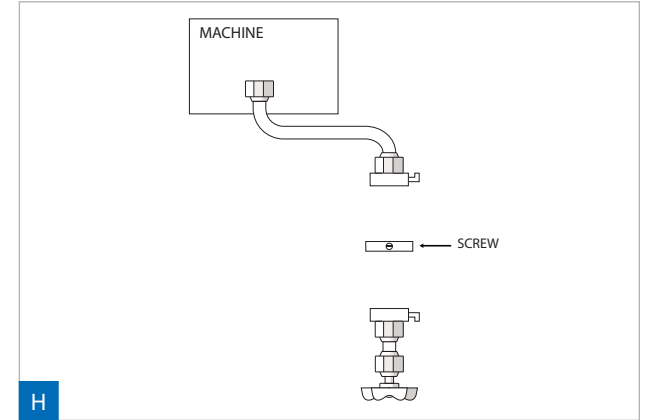
<sup>1</sup> The chemical ADBAC can cause structural damage to filter.



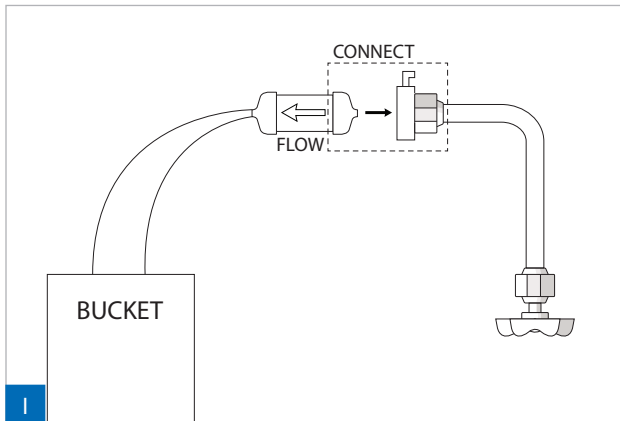
1. CLIP the c-clamp around the SSU unit.



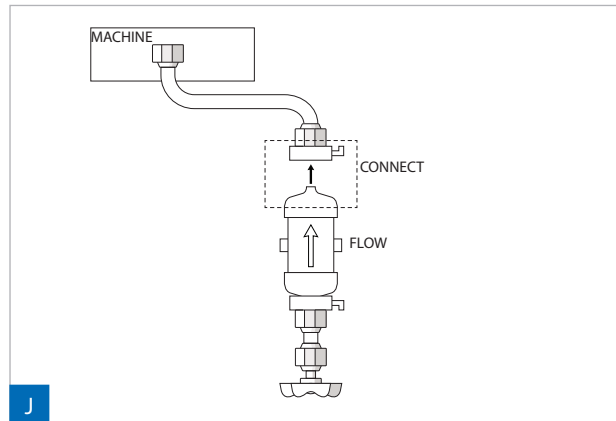
1. PLACE filter vertically against a surface near the machine in a position that both flex lines are not stretched.
2. MARK the edge of the c-clamp at it's location.



1. MOUNT the c-clamp with a screw.



1. CONNECT the filter to the quick connector of the water valve so the FLOW direction is towards the flow of water.
2. POINT the filter slightly up so that the water will flow out in an arc motion.
3. PLACE a bucket under the outlet side of filter to catch the water.
4. TURN ON the water valve.
5. ALLOW the filter to prime till an even amount of water flows out of the filter (approximately 5 minutes).
6. TURN OFF the water valve.



1. CLIP the filter to the c-clamp so the flow symbol on filter is toward the machine's inlet.
2. CONNECT the machine flex line to the outlet of filter.
  - a. OPEN the water supply valve and allow water to run for several minutes to flush out germicidal disinfectant and purge air out of the system (approximately 3 minutes).
  - b. USE residual test strips on running water, as the residual disinfectant levels should be less than 4ppm.
  - c. CHECK for any leaks and tighten any fittings if necessary.