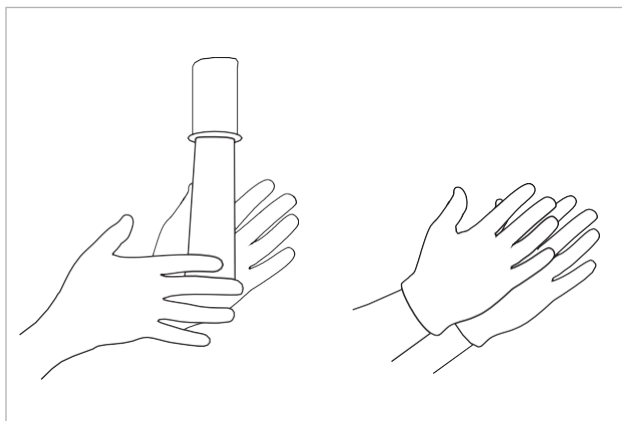


If external cleaning of DSU-D is needed, use 1% BLEACH  
 AVOID contact between filter and the chemical  
 alkyl dimethyl benzyl ammonium chloride (ADBAC).<sup>1</sup>

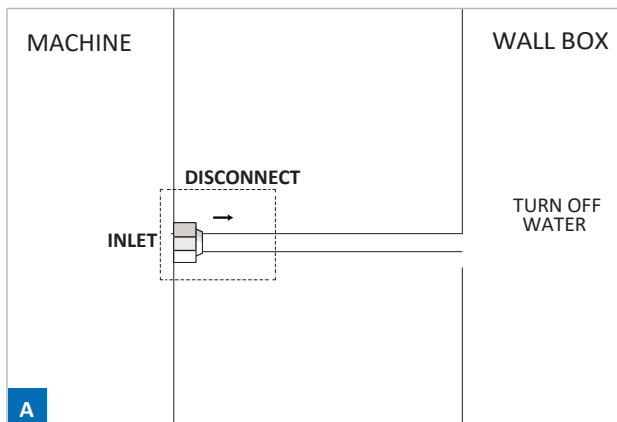
## Dual Stage Ultrafilter (DSU-D), Single Stage Ultrafilter (SSU-D)

### Installation Guide for Hemodialysis Quality Water

See DSU-D and SSU-D Instructions for Use

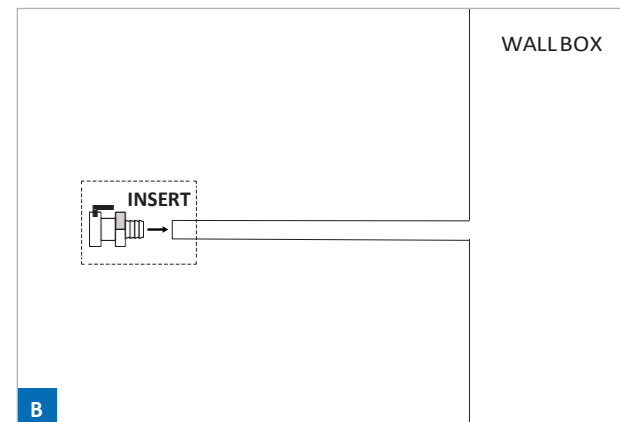


1. WASH hands before starting installation.
2. WEAR gloves while handling filter.
3. Hand sanitizers used in healthcare can effect performance of product material.



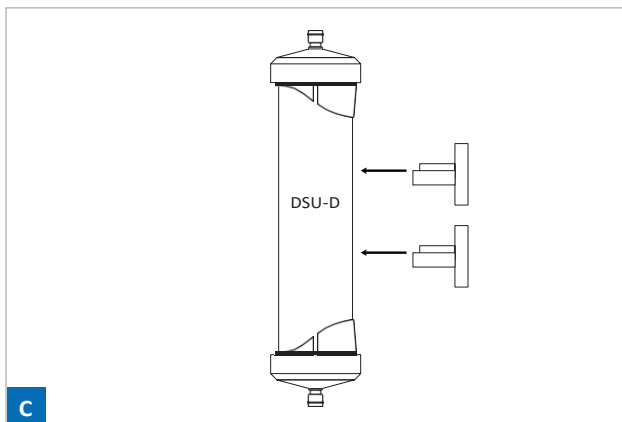
**A**

1. TURN OFF the water supply to the dialysis machine from wall box or RO outlet.
2. DISCONNECT water inlet hose from back of dialysis machine and replace with a new hose.



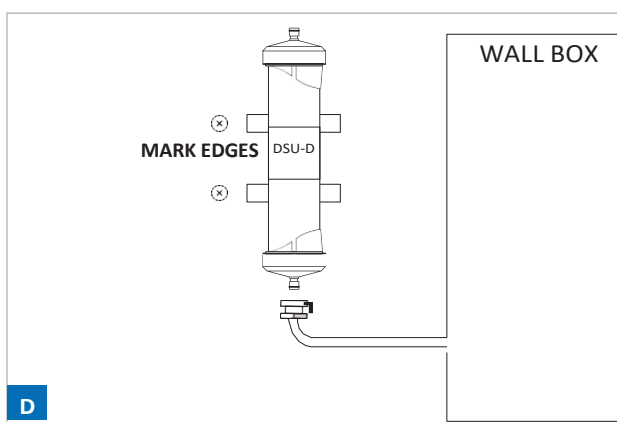
**B**

1. INSERT a quick connector to the free end of the old hose previously disconnected from the dialysis machine.



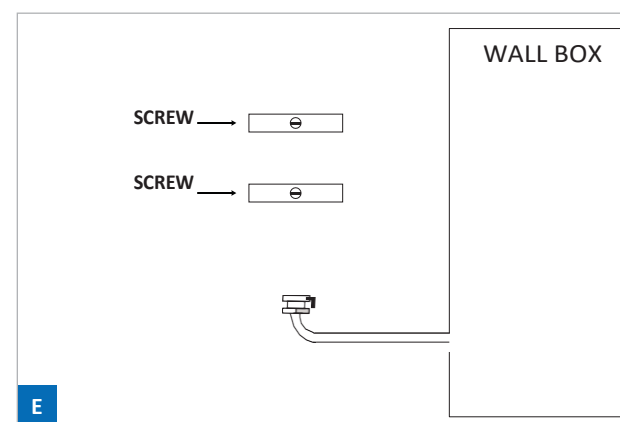
**C**

1. PRESS both clips (one clip for SSU) into the DSU filter.



**D**

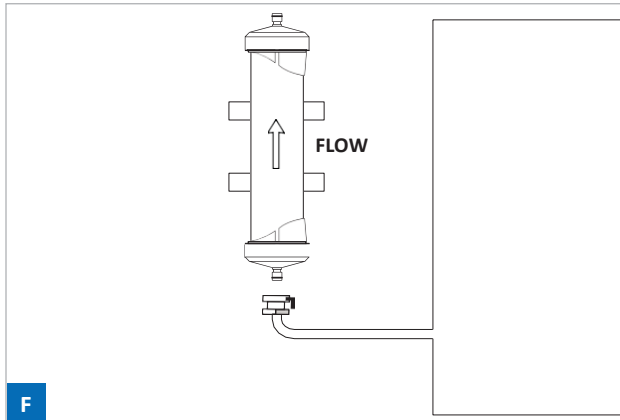
1. PLACE the filter vertically against wall near wall box or on frame of individual RO cart in the position it will be mounted.
2. Contact the facility manager or RO Manufacturer if unsure of appropriate locations to mount the filter.
3. MARK the edges of the clips at their locations.



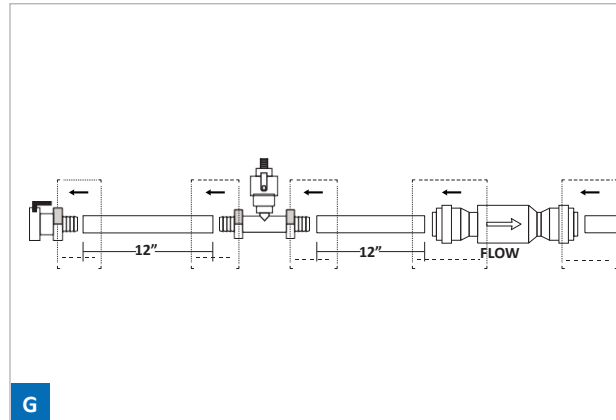
**E**

1. DRILL holes at the marked locations for the screws and MOUNT the clips with their enclosed screws.

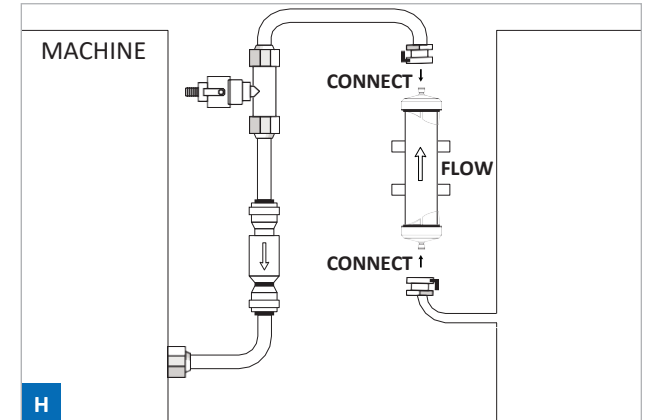
<sup>1</sup>The chemical ADBAC can cause structural damage to filter.



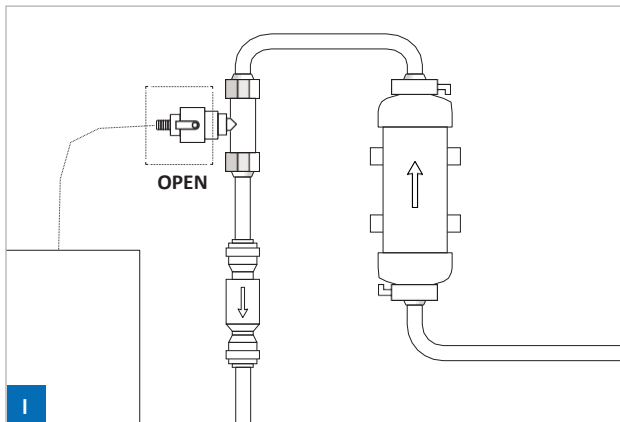
1. PRESS the filter into the clips so that the direction of flow is towards the water flow, which is towards the dialysis machine.



1. CONNECT quick connector to a new tubing line.
2. CONNECT a sample port approximately 12" away from the quick connector.
3. CONNECT a check valve approximately 12" from the sample port.
4. CONNECT the other end of the check valve to the new tubing line made in a previous step that's feeding into the dialysis machine.
5. The direction of flow of the check valve should be pointed toward the water flow, which is towards the dialysis machine.



1. CONNECT the water line from wall box or RO outlet with the quick connector to the filter's inlet.
2. CONNECT the quick connector on the new tubing made in the previous steps, to the filter's outlet.



1. PLACE a bucket under the sample port to catch the water that will be exiting.
2. TURN ON the water supply and KEEP OPEN the sample port valve to purge air out of the filter for 10 minutes.
3. CLOSE the sample port valve after purging the air out.
4. DISINFECT the entire water treatment system per standard facility policy and procedure prior to initiating dialysis treatments.