

# NEPHROS

**Installation Guide** Part #: 70-0286 (See DSU-H Instructions for Use)

## DSU-H Shower

**AVOID contact between filter and cleaning or sanitizing agents.<sup>(1)</sup>**

DO NOT remove blister pack from filter until indicated to protect from contamination.

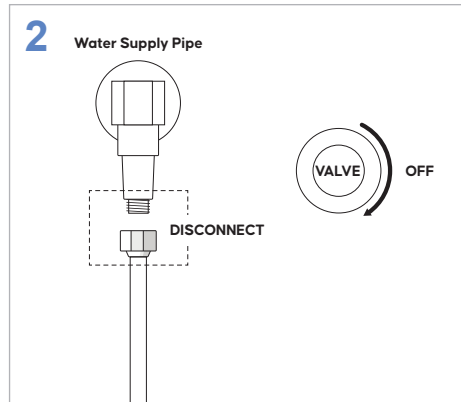
NOTE: For inlet pressures above 75psi, a pressure regulator should be installed ( $\leq 75$ psi) to account for plumbing system pressure fluctuations (typically up to  $\pm 25$ psi). A hammer arrester should be installed in applications where water hammer may be present.

Questions or issues?  
Let us help!

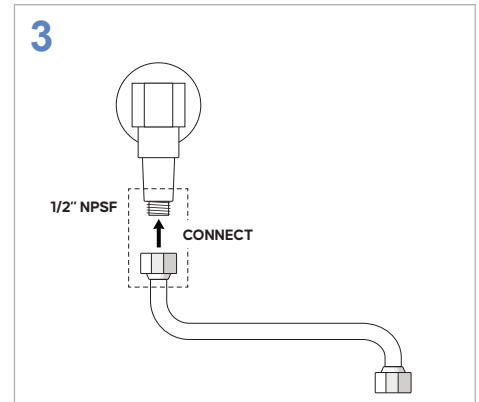
Call:  
**(201) 343-5202, Ext. 1**



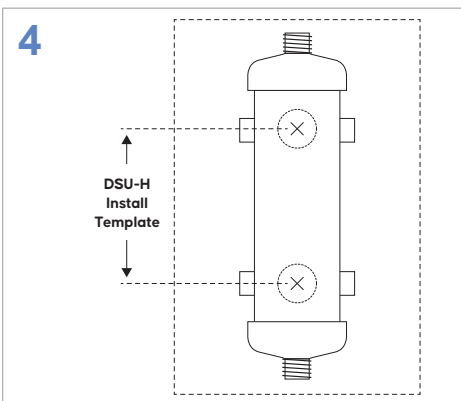
**1**  
READ the entire instruction guide and precautions before starting.  
WASH hands before starting installation.  
WEAR gloves before handling filter (do not remove blister pack).



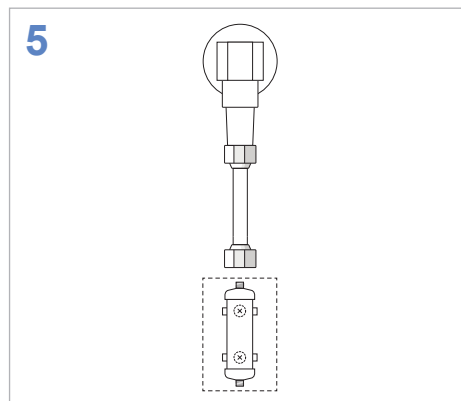
**2**  
TURN OFF the shower valve.  
DISCONNECT and REMOVE the existing shower head and hose from the water supply pipe.  
**For showers with a DSU-H previously installed: REMOVE the existing filter, begin installation at Step 7 and conclude with Step 8.**



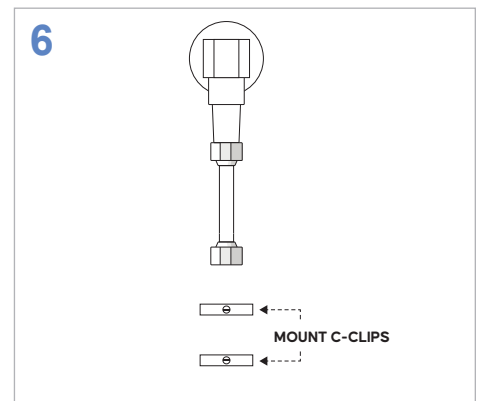
**3**  
CONNECT a new flex line by the 1/2" NPSF fitting to the water supply pipe.



**4**  
ATTACH the DSU-H Template (provided in installation kit) vertically against the wall in a desired position to ensure that both flex lines are not stretched.



**5**  
MARK the hole locations of the C-Clips at their locations.



**6**  
MOUNT the C-Clips with 2 screws (1 each).

(1) Medical grade plastics are more susceptible to cracking due to exposure to organic solvents. Alkyl dimethyl benzyl ammonium chloride (ADBAC), glycols, alcohols, ketones, silicones, and acetones are some examples of the leading organic solvents found in cleaning and sanitizing agents. Use of cleaning/sanitizing agents on the filter housings is not required and should be avoided.

**Installation Guide** Part #: 70-0286 (See DSU-H Instructions for Use)

## DSU-H Shower (continued)

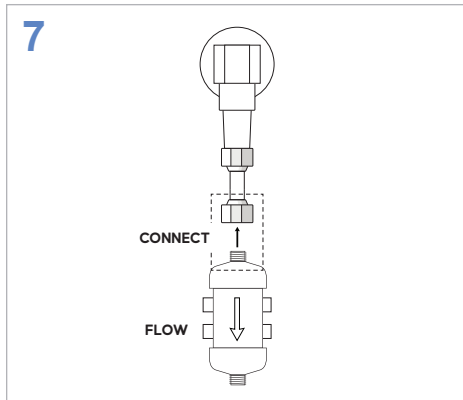
**AVOID contact between filter and cleaning or sanitizing agents.<sup>(1)</sup>**

DO NOT remove blister pack from filter until indicated to protect from contamination.

**NOTE:** For inlet pressures above 75psi, a pressure regulator should be installed ( $\leq 75$ psi) to account for plumbing system pressure fluctuations (typically up to  $\pm 25$ psi). A hammer arrester should be installed in applications where water hammer may be present.

Questions or issues?  
Let us help!

Call:  
**(201) 343-5202, Ext. 1**

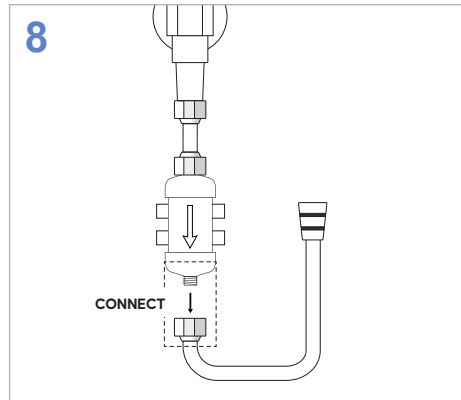


PUT ON new gloves.

HOLD the filter by the transparent portion of the blister pack and tear away the white backing as shown in Diagram 1.

REMOVE blister pack and CLIP the filter to C-Clips so the FLOW direction is towards the flow of water, pointing away from the water supply pipe.

CONNECT the water supply pipe flex line to the inlet of the filter.

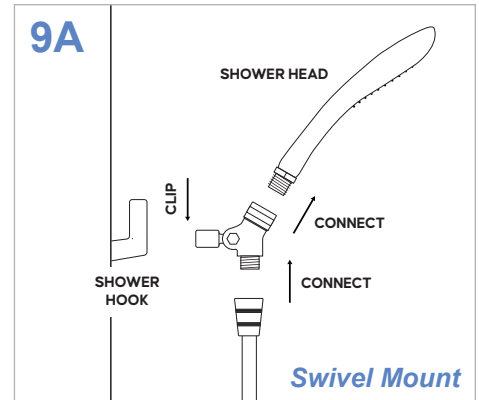


CONNECT the shower hose to the outlet of the filter.

For a swivel mount installation, refer to step 9A.

For a fixed mount installation, refer to step 9B.

**For showers with a DSU-H previously installed:** TURN ON the water supply and allow water to run for 3–5 minutes. CHECK for leaks and TIGHTEN any fittings if necessary.



**Option 1 [swivel mount installation]:**

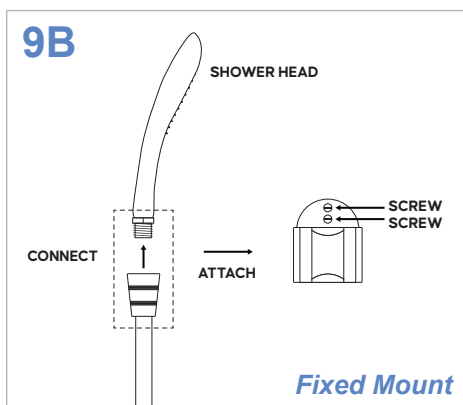
CONNECT the female connector on the shower hose to the swivel connector.

CONNECT the female connector on the swivel connector to the shower head.

CLIP the attachment on the swivel connector onto the existing shower hook.

TURN ON the water supply and allow water to run to flush the filter and purge trapped air until desired flow rate is reached (3–5 minutes depending on water pressure).

CHECK for leaks and TIGHTEN any fittings if necessary.



**Option 2 [fixed mount installation]:**

CONNECT the other end of the shower hose to the hand shower head.

MOUNT the shower holder by its screws at desired positions for holding the hand shower head.

TURN ON the water supply and allow water to run to flush the filter and purge trapped air until desired flow rate is reached (3–5 minutes depending on water pressure).

CHECK for leaks and TIGHTEN any fittings if necessary.

**NOTE:** If your static pressure is below 30psi, additional time may be needed to flush the filter and purge trapped air. Please contact Nephros for assistance with this process.

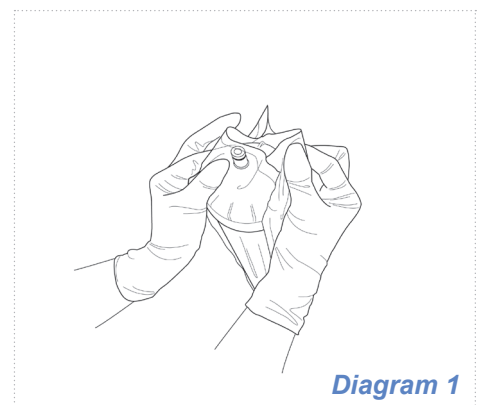


Diagram 1

NEPHROS.COM

**MANUFACTURER:**

Nephros, Inc.  
380 Lackawanna Place, South Orange, NJ 07079 USA  
(201) 343-5202

**ASSEMBLED AT:**

MEDICA S.p.A.  
Via Degli Artigiani, 7  
41036 Medolla (MO), Italy