

**Installation Guide** Part #: 70-0282 (See S100 Instructions for Use)

## S100 Shower Hand Held Filter

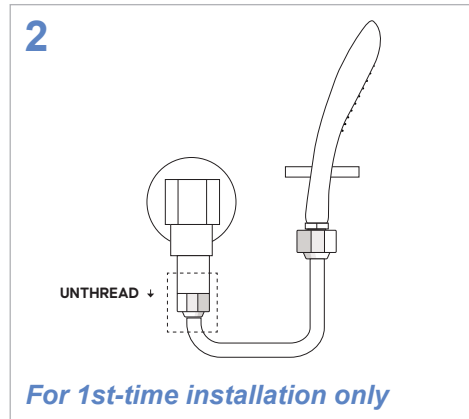
As noted in Steps 2 and 3, the included Flow Regulator is a one-time installation. NOTE: The regulator should be mounted between the shower arm (or fixture) outlet and the shower hose only; do NOT attach to the shower handle. Water must flow into female inlet and out through male outlet for correct flow regulation. If the regulator is already installed, skip Steps 2 and 3.

Questions or issues?  
Let us help!

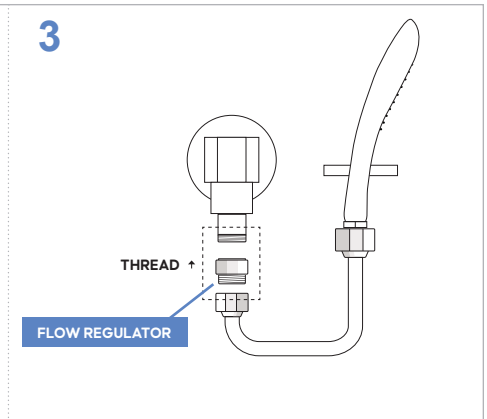
Call:  
**(201) 343-5202, Ext. 1**



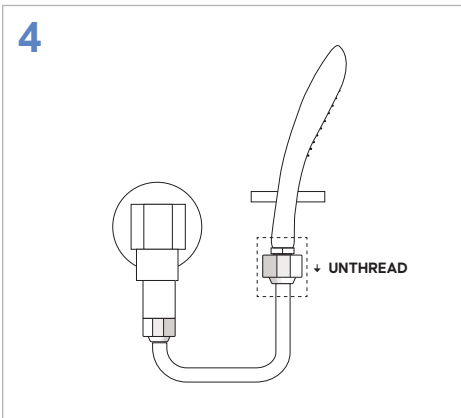
WASH hands before starting installation.  
WEAR gloves before handling filter.  
Hand sanitizers used in healthcare can affect performance of product material.<sup>(1)</sup>



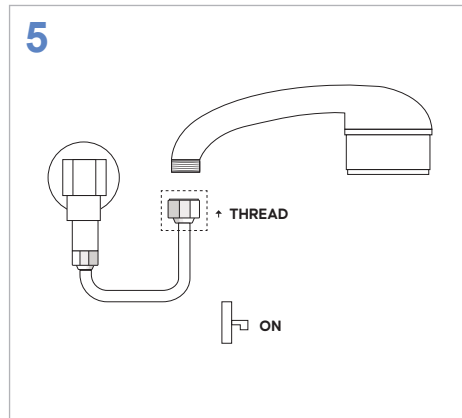
If installing for the first time, UNTHREAD the shower hose inlet from the shower arm (or fixture).



THREAD the flow regulator to the male end of the shower arm (or fixture). THREAD the hose inlet to the other end of the flow regulator.



UNTHREAD and REMOVE the old shower handle from the shower hose.  
NOTE: Follow your facility's policy to dispose of old shower handle.



THREAD the new S100 shower handle to the shower hose.  
OPEN the water valve and check for any leaking between the S100 shower handle, shower hose, flow regulator (if installed), and shower arm (or fixture). Tighten the connection if needed.

**AVOID contact between the filter and the chemical alkyl dimethyl benzyl ammonium chloride (ADBAC).<sup>(1)</sup>**

If external cleaning of the S100 is needed, use a 1% bleach cleaner such as Clorox® Healthcare Bleach Germicidal, or Dispatch® Hospital Cleaner Disinfectant Towels with Bleach.

All S100 filters contain a bacteriostatic additive incorporated into the housing material in order to guard against surface touch contamination. In cases where the external housing of the filters might be subject to heavy surface contamination (e.g., rinsing of used surgical instruments), it is recommended to wipe down the exterior surface of the filters with 1% bleach. Do not remove the filters or immerse them in cleaning solution.

<sup>(1)</sup> The chemical ADBAC can cause structural damage to filter.

NEPHROS.COM

**MANUFACTURER:**  
Nephros, Inc.  
380 Lackawanna Place, South Orange, NJ 07079 USA  
(201) 343-5202

**ASSEMBLED AT:**  
MEDICA S.p.A.  
Via Degli Artigiani, 7  
41036 Medolla (MO), Italy

50-3214 REV04