

Installation Guide Part #: 70-0343 (See DSU-H Instructions for Use)

Pressure Reducing Valve (PRV)

For additional details on the PRV see SHURflo PRV Instructions included with the kit. The PRV is not applicable for shower post-valve installations. See Sink and In-Line DSU-H Installation Guides for any filter install-related details.

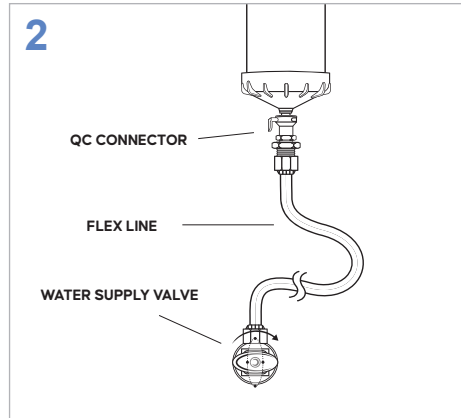
CAUTION: Maximum inlet pressure 125psi [8.6 bar]. Maximum temperature 125°F [52°C]. Filter outlet should not be disconnected at any time during this process.

Questions or issues?
Let us help!

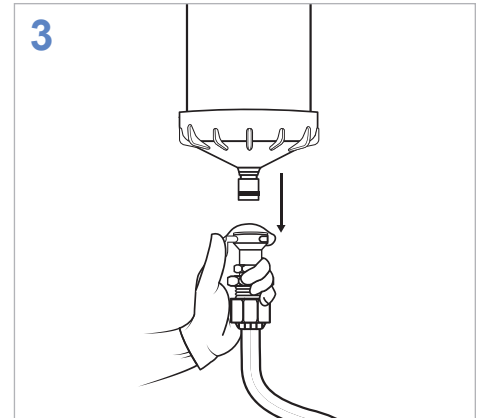
Call:
(201) 343-5202, Ext. 1



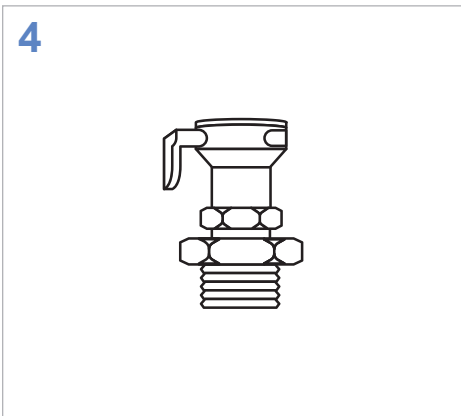
1
WASH hands and WEAR gloves before starting. There is no need to remove filter to install PRV.



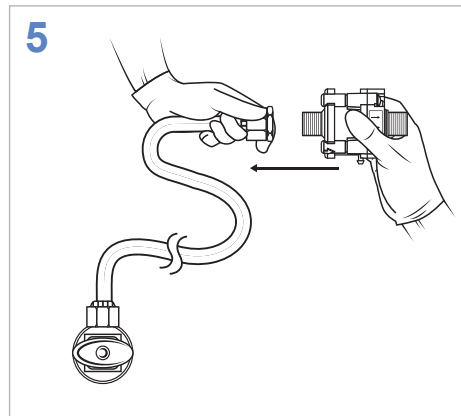
2
TURN OFF water supply valve. TURN ON faucet valve to allow any excess water to run out.



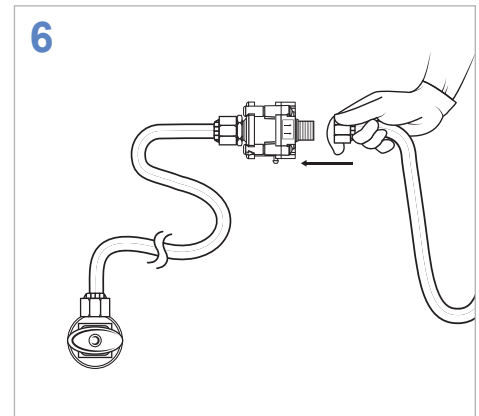
3
TURN OFF the faucet valve. DISCONNECT Quick Connector (QC) assembly from the DSU inlet only (leave the outlet connections attached).
NOTE: Some water may drip out of the filter inlet.



4
UNSCREW the QC assembly from the water valve flex line (do not disassemble the QC assembly) and set aside.



5
THREAD the water valve flex line's 1/2" NPSF fitting to the inlet side of the PRV (identify that arrows on PRV follow flow direction).
NOTE: Hand-tighten only. DO NOT USE plumber's tape.



6
THREAD the new flex line to the outlet side of the PRV.
NOTE: Hand-tighten only. DO NOT USE plumber's tape.

