

Installation Materials Cover Page

Please note that separate install guides are provided for the Filter and for the Pressure Reducing Valve (PRV). Please carefully review the guidance on this cover page and both guides before proceeding with the installation to ensure additional steps are not required post installation.

Installation Materials Included:

- Installation Cover Page
- DSU-H Sink (50-3204)
- * DSU-H In-Line (50-3205)

If installing the filter at a sink:

- Use **DSU-H Sink** Installation Guide (50-3204) and proceed until **Step 8**
- Use **Pressure Reducing Valve (PRV)** Installation Guide (50-3246) and follow **Steps 5 & 6** to connect the **inlet** of the PRV to the water valve flex line and connect a second flex line to the **outlet**

If installing the filter on an ice machine or other water-fed equipment:

- Use **DSU-H In-Line** Installation Guide (50-3205) and proceed until **Step 8**
- Use **Pressure Reducing Valve (PRV)** Installation Guide (50-3246) and follow **Steps 5 & 6** to connect the **inlet** of the PRV to the water valve flex line and connect a second flex line to the **outlet**

Once the PRV and flex lines have been connected, continue following the steps indicated in the appropriate installation guide (**DSU-H Sink**, 50-3204 or **DSU-H In-Line** 50-3205).

Please contact us at (201) 343-5202, Ext. 3, with any questions.

NEPHROS

Installation Guide

Part #: 70-0285, 70-0286 (See DSU-H Instructions for Use)

DSU-H Sink

AVOID contact between the filter and the cleaning or sanitizing agents.⁽¹⁾

DO NOT remove blister pack from filter until indicated to protect from contamination.

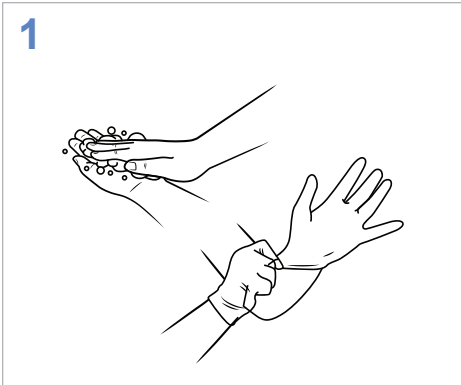
NOTE: For inlet pressures above 75psi, a pressure regulator should be installed (≤ 75 psi) to account for plumbing system pressure fluctuations (typically up to ± 25 psi). A hammer arrester should be installed in applications where water hammer may be present.

Questions or issues?

Let us help!

Call:

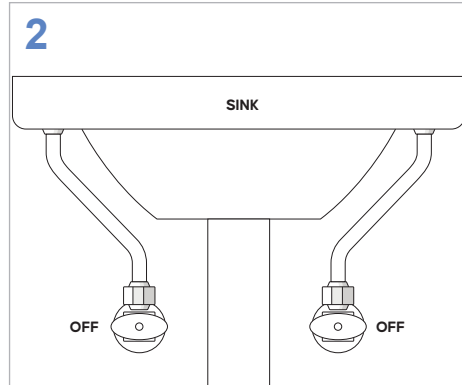
(201) 343-5202, Ext. 1



READ the entire installation guide and precautions before starting.

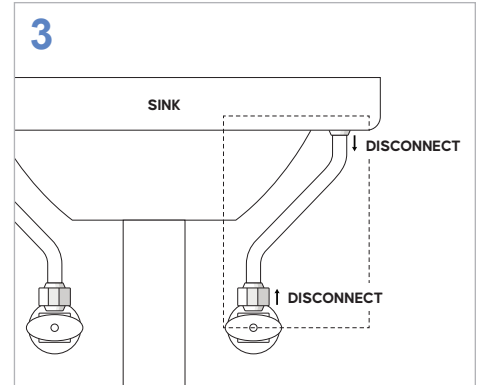
WASH hands before starting installation.

WEAR gloves before handling filter (do not remove blister pack).



Turn OFF the water supply valves and OPEN faucet.

For sinks with a DSU-H previously installed: REMOVE the existing filter, begin installation at Step 5-7, and conclude with Step 12.

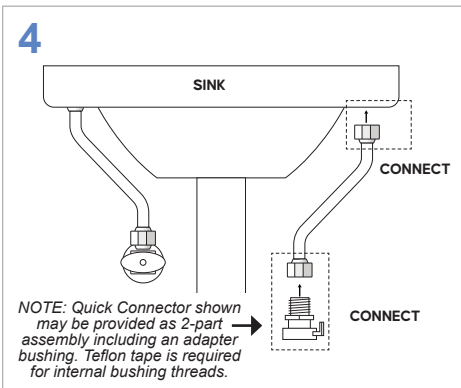


DISCONNECT, REMOVE, and DISCARD the current flex lines on both sides of sink.

Current flex line can be reused in-front of the filter if not removable.

REMOVE and DISCARD the aerator (connected to spout).

NOTE: Filter should be installed as close to sink as possible (eg, after any check valves, mixing valves, tees, etc.) to reduce risk of contamination.



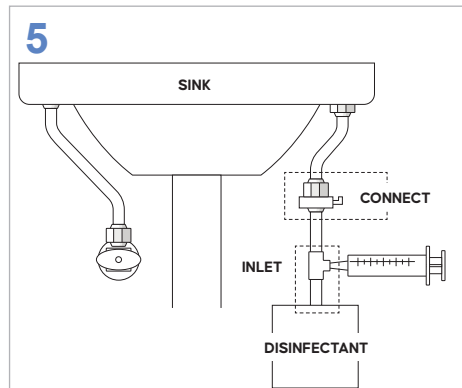
CONNECT the faucet stem flex line to the faucet stem by the 1/2" NPSF fitting.

For 70-0285 (QC): CONNECT the Quick Connector (QC) onto the other end of the faucet stem flex line.

For 70-0286 (threaded): CONNECT thread port directly to the supply line. Please contact Nephros for assistance with this process.

Perform steps for cold and hot sides of sink.

NOTE: For installations using existing 3/8" compression lines, use the included 3/8" compression x 1/2" FIP adapter for connection to the QC.



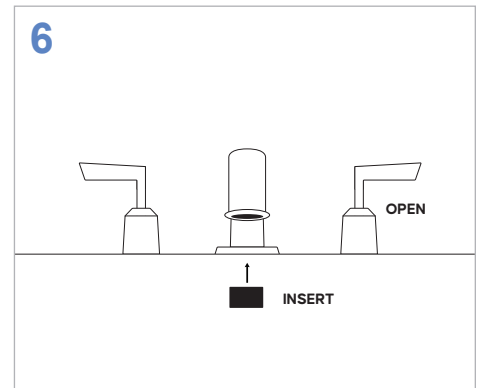
Clorox[®] Germicidal Bleach (Concentrated) is the recommended disinfectant choice.⁽²⁾

For 70-0286 (threaded): MODIFY the outlet of the disinfection unit by attaching Quick Connector shown in Step 4.

CONNECT the outlet of the faucet disinfection unit to the faucet stem flex line Quick Connector.

PLACE the inlet hose of unit into disinfectant (eg, bleach) container.

NOTE: Final disinfectant concentration of sodium hypochlorite should be 4–8.25%.



Ensure that faucet valve is open.

INSERT a piece of gauze or paper towel to allow for disinfectant to dwell in the faucet spout.

Installation Guide Part #: 70-0285, 70-0286 (See DSU-H Instructions for Use)

DSU-H Sink (continued)

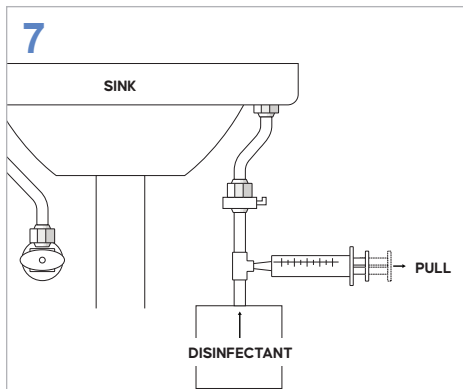
AVOID contact between the filter and the cleaning or sanitizing agents.⁽¹⁾

DO NOT remove blister pack from filter until indicated to protect from contamination.

NOTE: For inlet pressures above 75psi, a pressure regulator should be installed (≤ 75 psi) to account for plumbing system pressure fluctuations (typically up to +/- 25psi). A hammer arrester should be installed in applications where water hammer may be present.

Questions or issues?
Let us help!

Call:
(201) 343-5202, Ext. 1

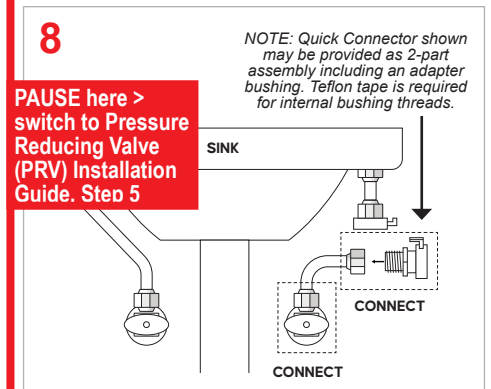


PULL out syringe plunger to draw the disinfectant.

DELIVER the disinfectant by pushing in the syringe until disinfectant is seen coming out of the spout.

ALLOW disinfectant to dwell in faucet hardware for 5 minutes.

DISCONNECT the faucet disinfection unit from the flex line and if gauze has fallen out of spout, place back in spout so that it is there when performing disinfection for the other side of sink.

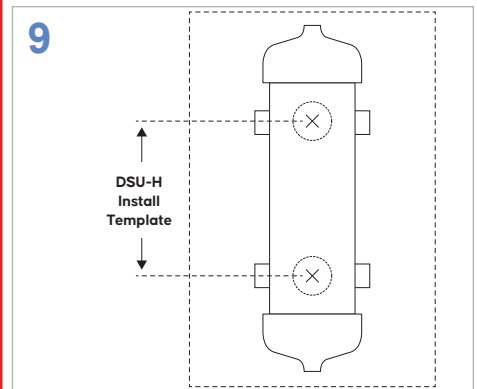


CONNECT the water valve flex line to the water valve by the 3/8" compression fitting.

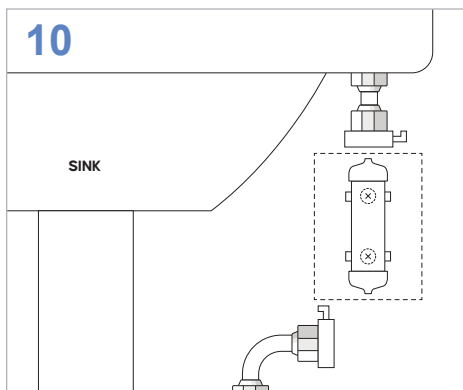
For 70-0285 (QC): CONNECT a Quick Connector to the other end of the water valve flex line.

For 70-0286 (threaded): CONNECT thread port directly to the supply line.

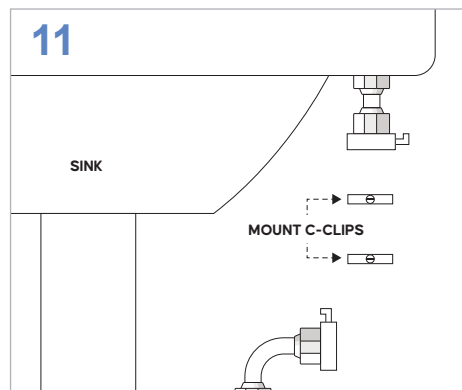
TURN ON the water source to ensure there are no leaks, then turn water source back off.



ATTACH the DSU-H template (provided in installation kit) vertically against the wall in a desired position to ensure that both flex lines are not stretched.



MARK the hole locations of the C-Clips on the wall.



MOUNT the C-Clips with 2 screws (1 each). DO NOT REMOVE the blister pack. PUT ON new gloves.

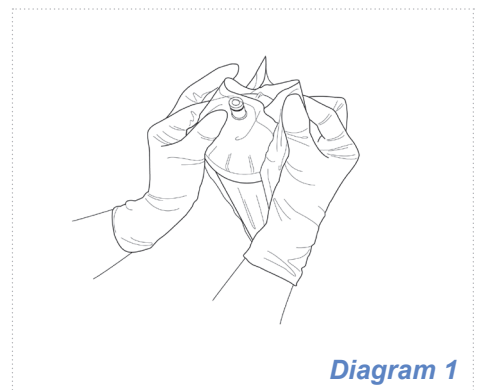


Diagram 1

HOLD the filter by the transparent portion of the blister pack and tear away the white backing as shown in Diagram 1.

Caution: Do not touch filter outlet to avoid contamination.

Installation Guide Part #: 70-0285, 70-0286 (See DSU-H Instructions for Use)

DSU-H Sink (continued)

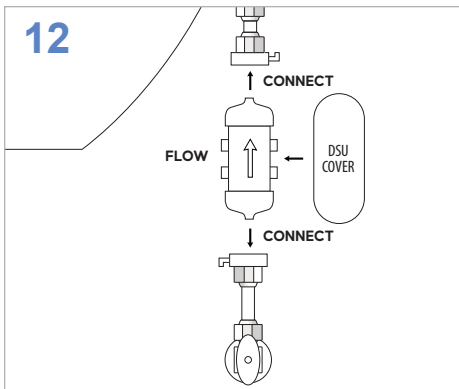
AVOID contact between the filter and the cleaning or sanitizing agents.⁽¹⁾

DO NOT remove blister pack from filter until indicated to protect from contamination.

NOTE: For inlet pressures above 75psi, a pressure regulator should be installed (≤ 75 psi) to account for plumbing system pressure fluctuations (typically up to +/- 25psi). A hammer arrester should be installed in applications where water hammer may be present.

Questions or issues?
Let us help!

Call:
(201) 343-5202, Ext. 1



REMOVE blister pack and CLIP filter to the C-Clips so the flow symbol on filter is towards the faucet.

CONNECT the water valve flex line to the inlet of filter.

CONNECT the faucet stem flex line to the outlet of filter.

OPEN water supply valves and faucet valves to allow filter to prime until desired flow rate is reached and water is clear of air bubbles and disinfectant is flushed out of the system (3–5 minutes depending on water pressure).

USE residual test strips on running water to ensure residual disinfectant levels do not exceed 4ppm.

CLOSE the faucet valves and CHECK for any leaks.

TIGHTEN any fittings if necessary.

If included, PRESS ON the DSU-H Cover onto the filter. *(It is recommended to install the DSU-H Cover to shield the filter from the external environment.)*

NOTES:

For installation on faucets with a touchless sensor mechanism, the faucet can be bypassed to speed up the priming process.

For additional or replacement disinfection units, use Disinfection Kit, 70-0293.

If your static pressure is below 30psi, additional time may be needed to flush the filter and purge trapped air.

Please contact Nephros for assistance with these processes.

(1) Medical grade plastics are more susceptible to cracking due to exposure to organic solvents. Alkyl dimethyl benzyl ammonium chloride (ADBAC), glycols, alcohols, ketones, silicones, and acetones are some examples of the leading organic solvents found in cleaning and sanitizing agents. Use of cleaning/sanitizing agents on the filter housings is not required and should be avoided.

(2) Wear appropriate PPE and exercise caution when handling bleach.

Installation Guide Part #: 70-0343 (See DSU-H Instructions for Use)

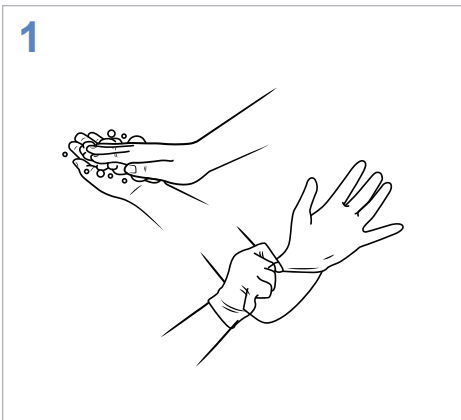
Pressure Reducing Valve (PRV)

For additional details on the PRV see SHURflo PRV Instructions included with the kit. The PRV is not applicable for shower post-valve installations. See Sink and In-Line DSU-H Installation Guides for any filter install-related details.

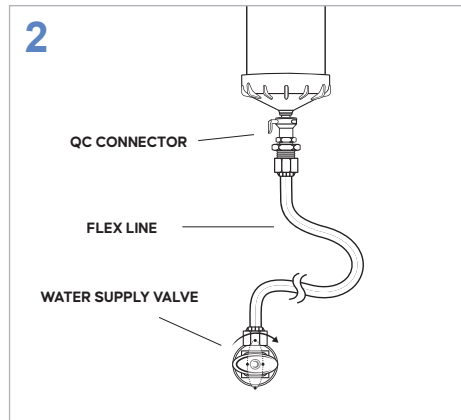
CAUTION: Maximum inlet pressure 125psi [8.6 bar]. Maximum temperature 125°F [52°C]. Filter outlet should not be disconnected at any time during this process.

Questions or issues?
Let us help!

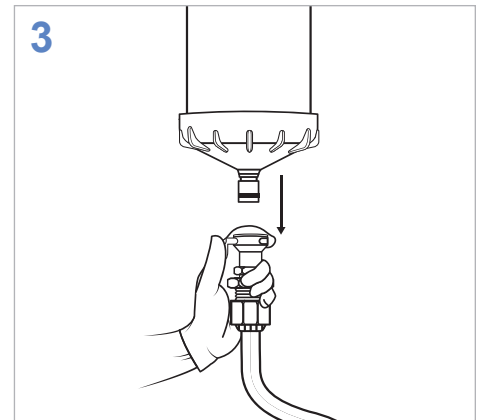
Call:
(201) 343-5202, Ext. 1



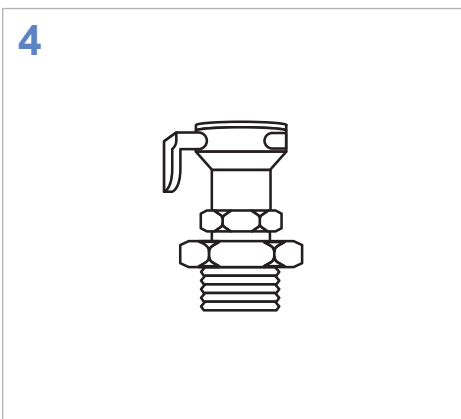
1
WASH hands and WEAR gloves before starting. There is no need to remove filter to install PRV.



2
TURN OFF water supply valve. TURN ON faucet valve to allow any excess water to run out.

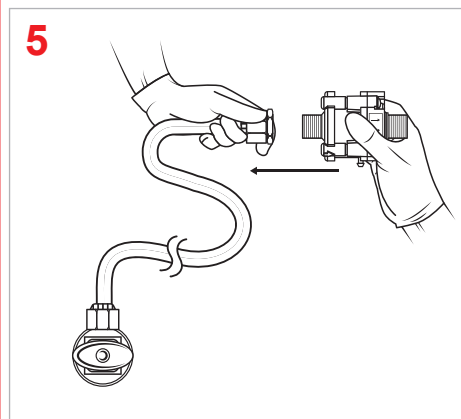


3
TURN OFF the faucet valve. DISCONNECT Quick Connector (QC) assembly from the DSU inlet only (leave the outlet connections attached).
NOTE: Some water may drip out of the filter inlet.

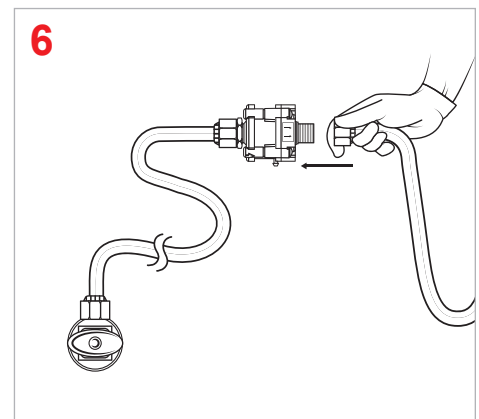


4
UNSCREW the QC assembly from the water valve flex line (do not disassemble the QC assembly) and set aside.

CONTINUE here



5
THREAD the water valve flex line's 1/2" NPSF fitting to the inlet side of the PRV (identify that arrows on PRV follow flow direction).
NOTE: Hand-tighten only. DO NOT USE plumber's tape.



6
THREAD the new flex line to the outlet side of the PRV.
NOTE: Hand-tighten only. DO NOT USE plumber's tape.

Installation Guide Part #: 70-0343 (See DSU-H Instructions for Use)

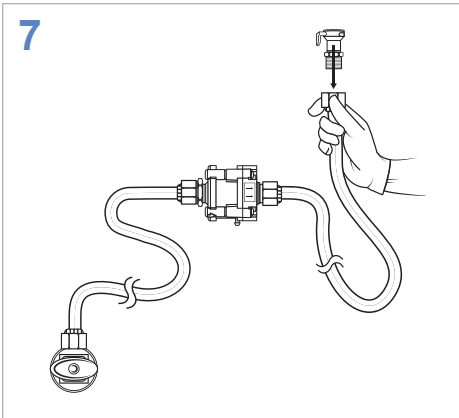
Pressure Reducing Valve (PRV, continued)

For additional details on the PRV see SHURflo PRV Instructions included with the kit. The PRV is not applicable for shower post-valve installations. See Sink and In-Line DSU-H Installation Guides for any filter install-related details.

CAUTION: Maximum inlet pressure 125psi [8.6 bar]. Maximum temperature 125°F [52°C]. Filter outlet should not be disconnected at any time during this process.

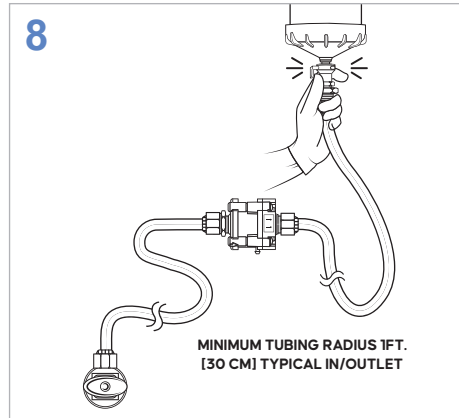
Questions or issues?
Let us help!

Call:
(201) 343-5202, Ext. 1



THREAD the QC assembly that was set aside into the other end of the new flex line.

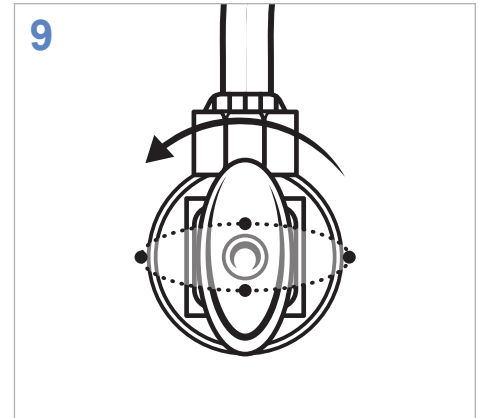
NOTE: DO NOT USE plumber's tape.



CONNECT the new flex line's QC assembly to the inlet of the DSU filter.

ENSURE the filter inlet and QC assembly connection is secure.

REVIEW the installation to ensure that the flex lines are not overbent / overstressed.



Turn ON water supply valve and check for leaks.

NOTE: Some air may enter the filter during the disconnection process so it may take 3-5 minutes for the air to exit through the filter.

NEPHROS.COM

MANUFACTURED AND ASSEMBLED AT:

Nephros, Inc.
380 Lackawanna Place,
South Orange, NJ 07079 USA
(201) 343-5202

50-3246 REV00