

Installation Materials Cover Page

Please note that separate install guides are provided for the Filter and for the Pressure Reducing Valve (PRV). Please carefully review the guidance on this cover page and both guides before proceeding with the installation to ensure additional steps are not required post installation.

Installation Materials Included:

- Installation Cover Page
- DSU-H Sink (50-3204)
- * DSU-H In-Line (50-3205)

If installing the filter at a sink:

- Use **DSU-H Sink** Installation Guide (50-3204) and proceed until **Step 8**
- Use **Pressure Reducing Valve (PRV)** Installation Guide (50-3246) and follow **Steps 5 & 6** to connect the **inlet** of the PRV to the water valve flex line and connect a second flex line to the **outlet**

If installing the filter on an ice machine or other water-fed equipment:

- Use **DSU-H In-Line** Installation Guide (50-3205) and proceed until **Step 8**
- Use **Pressure Reducing Valve (PRV)** Installation Guide (50-3246) and follow **Steps 5 & 6** to connect the **inlet** of the PRV to the water valve flex line and connect a second flex line to the **outlet**

Once the PRV and flex lines have been connected, continue following the steps indicated in the appropriate installation guide (**DSU-H Sink**, 50-3204 or **DSU-H In-Line** 50-3205).

Please contact us at (201) 343-5202, Ext. 3, with any questions.

Installation Guide Part #: 70-0285, 70-0286 (See DSU-H Instructions for Use)

DSU-H In-Line

AVOID contact between filter and cleaning or sanitizing agents.⁽¹⁾

DO NOT remove blister pack from filter until indicated to protect from contamination.

NOTE: For inlet pressures above 75psi, a pressure regulator should be installed (≤ 75 psi) to account for plumbing system pressure fluctuations (typically up to ± 25 psi). A hammer arrester should be installed in applications where water hammer may be present.

Questions or issues?
Let us help!

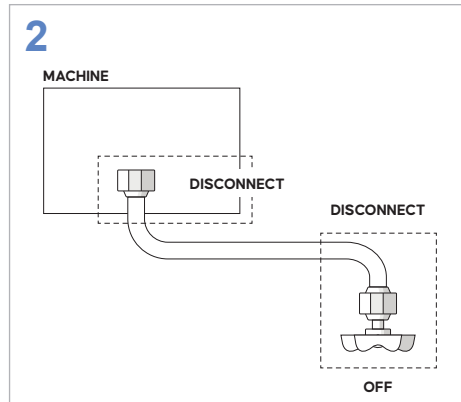
Call:
(201) 343-5202, Ext. 1



READ the entire installation guide and precautions before starting.

WASH hands before starting installation.

WEAR gloves before handling filter (do not remove blister pack).

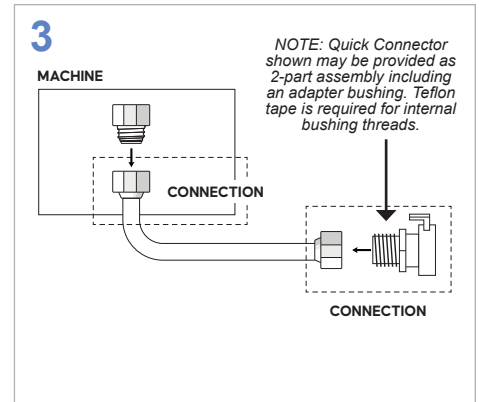


TURN OFF the water supply valve.

For in-line systems with a DSU-H previously installed: REMOVE the existing filter, and begin at Step 4–5, and conclude at Step 10.

DISCONNECT the supply line from the machine's inlet and water valve.

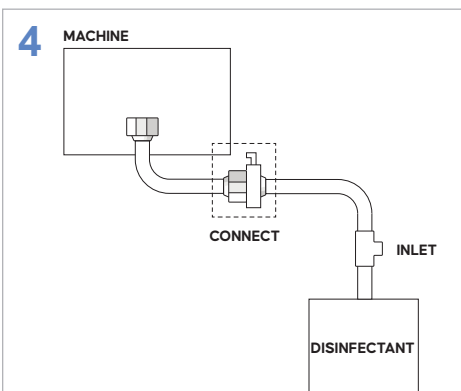
NOTE: Filter should be installed as close to machine as possible (eg, after any check valves, mixing valves, tees, etc.) to reduce risk of contamination.



CONNECT a new flex line to the machine's inlet.

For 70-0285 (QC): CONNECT the Quick Connector (QC) to the other end of flex line.

For 70-0286 (threaded): CONNECT thread port directly to the flex line.



Clorox® Healthcare Germicidal Cleaner is the recommended disinfectant choice.⁽²⁾

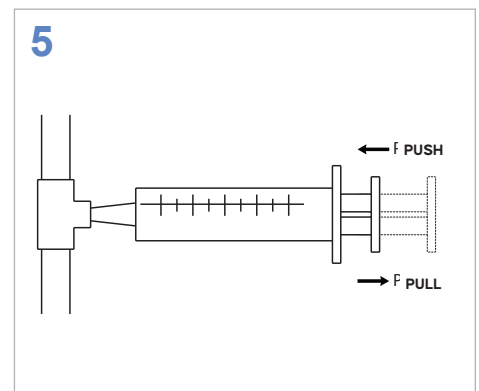
For 70-0286 (threaded): MODIFY the outlet of the disinfection unit by attaching Quick Connector shown in Step 3.

CONNECT the outlet of machine disinfection unit to the machine flex line Quick Connector.

PLACE the inlet hose of unit into disinfectant (eg, bleach) container.

PLACE a cup under the water dispenser and keep OPEN the dispenser. This is to vent the machine and allow for disinfectant to fill.

NOTE: Final disinfectant concentration of sodium hypochlorite should be 0.04–0.065% (400–650ppm).



PULL out syringe plunger to draw the disinfectant.

PUSH the plunger to deliver the disinfectant and continue until disinfectant is seen coming out of the machine's dispenser.

ALLOW disinfectant to dwell for 5 minutes.

Installation Guide Part #: 70-0285, 70-0286 (See DSU-H Instructions for Use)

DSU-H In-Line (continued)

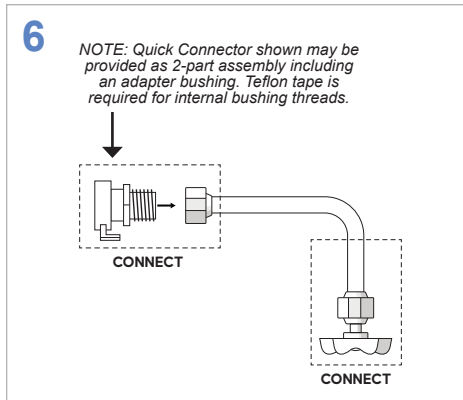
AVOID contact between filter and cleaning or sanitizing agents.⁽¹⁾

DO NOT remove blister pack from filter until indicated to protect from contamination.

NOTE: For inlet pressures above 75psi, a pressure regulator should be installed (≤ 75 psi) to account for plumbing system pressure fluctuations (typically up to +/- 25psi). A hammer arrester should be installed in applications where water hammer may be present.

Questions or issues?
Let us help!

Call:
(201) 343-5202, Ext. 1

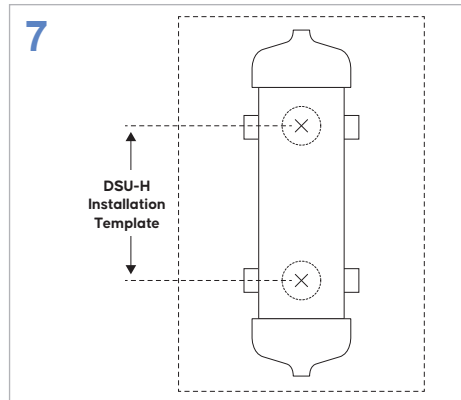


CONNECT a new flex line to the water valve.

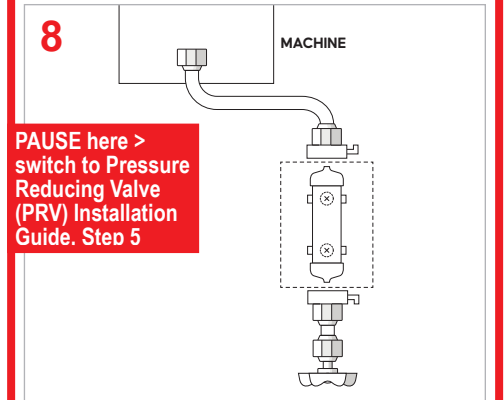
For 70-0285 (QC): CONNECT the Quick Connector to the other end of flex line.

For 70-0286 (threaded): CONNECT thread port directly to the supply line.

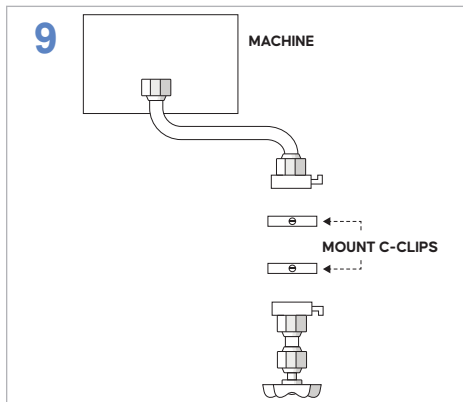
TURN ON the water source to assure there are no leaks, then turn the water source back off.



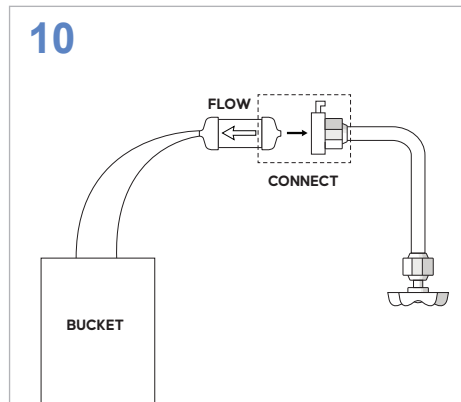
ATTACH the DSU-H Template (provided in installation kit) vertically against the wall in a desired position to ensure that both flex lines are not stretched.



MARK the hole locations of the C-Clips on the wall.



MOUNT the C-Clips with 2 screws (1 each).



CONNECT the filter inlet to the Quick Connector of the water valve so the filter flow direction symbol is pointing away from the water valve.

PLACE a bucket under the outlet side of filter to catch the water.

TURN ON the water valve.

ALLOW filter to prime until desired flow rate is reached and water is clear of air bubbles (3–5 minutes depending on water pressure).

TURN OFF the water valve.

NOTE: If your static pressure is below 30psi, additional time may be needed to flush the filter and purge trapped air. Please contact Nephros for assistance with this process.

Installation Guide Part #: 70-0285, 70-0286 (See DSU-H Instructions for Use)

DSU-H In-Line (continued)

AVOID contact between filter and cleaning or sanitizing agents.⁽¹⁾

DO NOT remove blister pack from filter until indicated to protect from contamination.

NOTE: For inlet pressures above 75psi, a pressure regulator should be installed (≤ 75 psi) to account for plumbing system pressure fluctuations (typically up to ± 25 psi). A hammer arrester should be installed in applications where water hammer may be present.

Questions or issues?
Let us help!

Call:
(201) 343-5202, Ext. 1

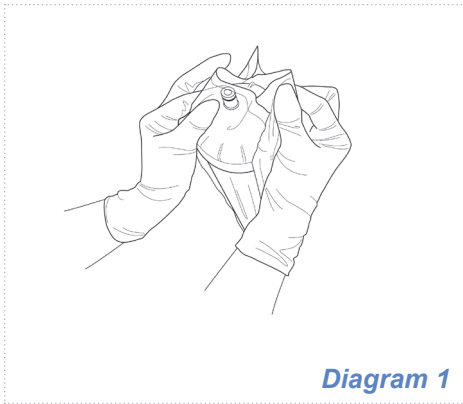


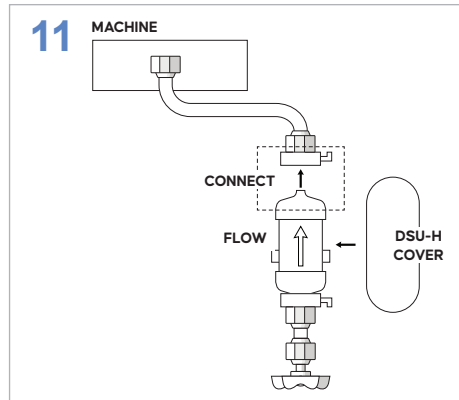
Diagram 1

PUT ON new gloves.

DO NOT REMOVE the blister pack from the filter. Tear open the pack ends to expose connectors as shown in Diagram 1.

HOLD the filter by the transparent portion of the blister pack and tear away the white backing.

Caution: Do not touch filter outlet to avoid contamination.



REMOVE blister pack and CLIP the filter to the C-Clips so the flow symbol on filter is toward the machine's inlet.

CONNECT the machine flex line to the outlet of the filter.

OPEN the water supply valve and allow water to run through the filter for 3–5 minutes to flush out the disinfectant and purge air from the system.

USE residual test strips on running water to ensure residual disinfectant levels do not exceed 4ppm.

CHECK for any leaks and TIGHTEN any fittings if necessary.

If included, PRESS ON the DSU-H Cover onto the filter. *(It is recommended to install the DSU-H Cover to shield the filter from the external environment.)*

(1) Medical grade plastics are more susceptible to cracking due to exposure to organic solvents. Alkyl dimethyl benzyl ammonium chloride (ADBAC), glycols, alcohols, ketones, silicones, and acetones are some examples of the leading organic solvents found in cleaning and sanitizing agents. Use of cleaning/sanitizing agents on the filter housings is not required and should be avoided.

(2) Wear appropriate PPE and exercise caution when handling bleach.

NEPHROS.COM

MANUFACTURER:

Nephros, Inc.
380 Lackawanna Place, South Orange, NJ 07079 USA
(201) 343-5202

ASSEMBLED AT:

MEDICA S.p.A.
Via Degli Artigiani, 7
41036 Medolla (MO), Italy

Installation Guide Part #: 70-0343 (See DSU-H Instructions for Use)

Pressure Reducing Valve (PRV)

For additional details on the PRV see SHURflo PRV Instructions included with the kit. The PRV is not applicable for shower post-valve installations. See Sink and In-Line DSU-H Installation Guides for any filter install-related details.

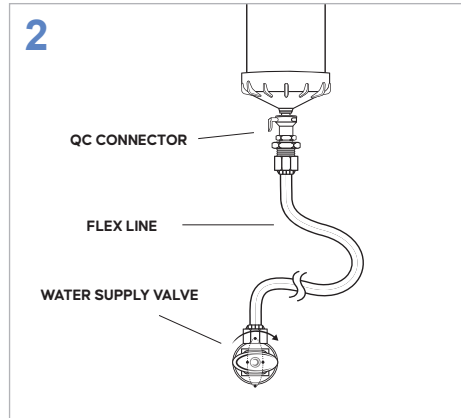
CAUTION: Maximum inlet pressure 125psi [8.6 bar]. Maximum temperature 125°F [52°C]. Filter outlet should not be disconnected at any time during this process.

Questions or issues?
Let us help!

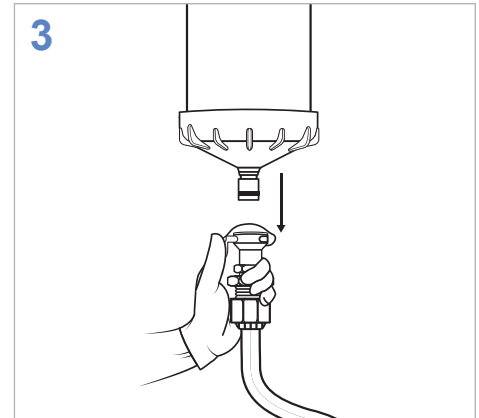
Call:
(201) 343-5202, Ext. 1



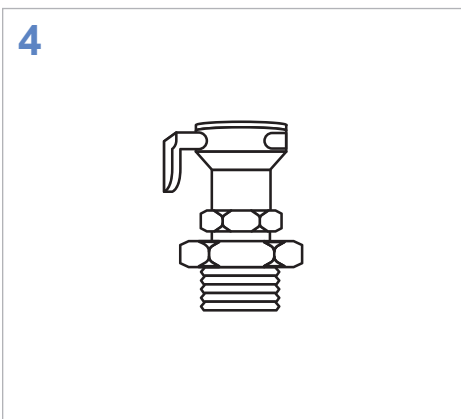
1
WASH hands and WEAR gloves before starting. There is no need to remove filter to install PRV.



2
TURN OFF water supply valve. TURN ON faucet valve to allow any excess water to run out.

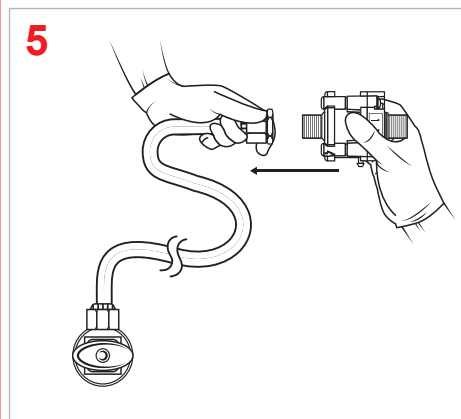


3
TURN OFF the faucet valve. DISCONNECT Quick Connector (QC) assembly from the DSU inlet only (leave the outlet connections attached).
NOTE: Some water may drip out of the filter inlet.

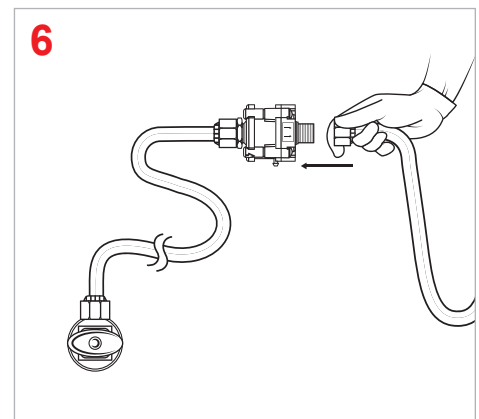


4
UNSCREW the QC assembly from the water valve flex line (do not disassemble the QC assembly) and set aside.

CONTINUE here



5
THREAD the water valve flex line's 1/2" NPSF fitting to the inlet side of the PRV (identify that arrows on PRV follow flow direction).
NOTE: Hand-tighten only. DO NOT USE plumber's tape.



6
THREAD the new flex line to the outlet side of the PRV.
NOTE: Hand-tighten only. DO NOT USE plumber's tape.

Installation Guide Part #: 70-0343 (See DSU-H Instructions for Use)

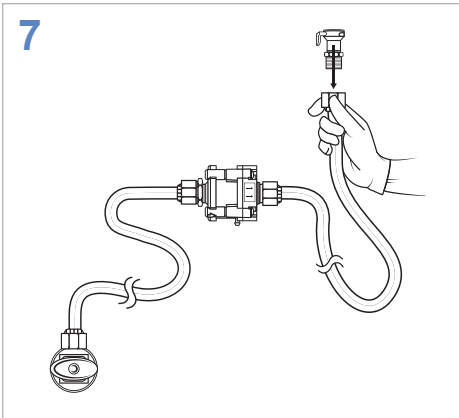
Pressure Reducing Valve (PRV, continued)

For additional details on the PRV see SHURflo PRV Instructions included with the kit. The PRV is not applicable for shower post-valve installations. See Sink and In-Line DSU-H Installation Guides for any filter install-related details.

CAUTION: Maximum inlet pressure 125psi [8.6 bar]. Maximum temperature 125°F [52°C]. Filter outlet should not be disconnected at any time during this process.

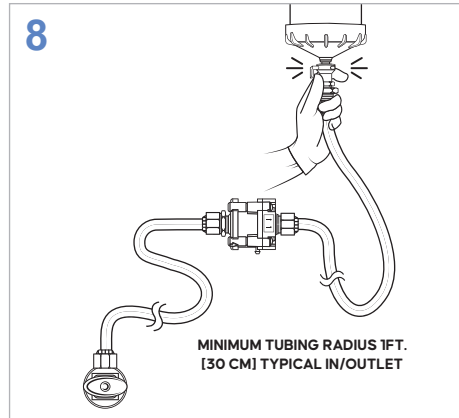
Questions or issues?
Let us help!

Call:
(201) 343-5202, Ext. 1



THREAD the QC assembly that was set aside into the other end of the new flex line.

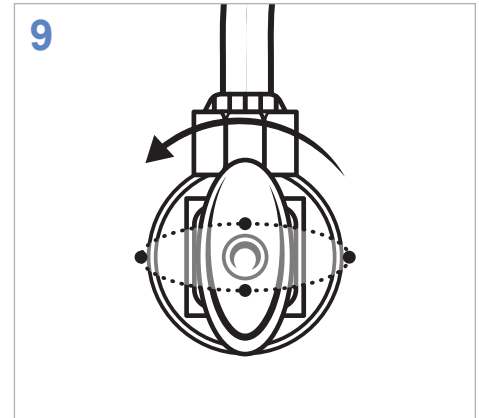
NOTE: DO NOT USE plumber's tape.



CONNECT the new flex line's QC assembly to the inlet of the DSU filter.

ENSURE the filter inlet and QC assembly connection is secure.

REVIEW the installation to ensure that the flex lines are not overbent / overstressed.



Turn ON water supply valve and check for leaks.

NOTE: Some air may enter the filter during the disconnection process so it may take 3-5 minutes for the air to exit through the filter.

NEPHROS.COM

MANUFACTURED AND ASSEMBLED AT:

Nephros, Inc.
380 Lackawanna Place,
South Orange, NJ 07079 USA
(201) 343-5202

50-3246 REV00