

Installation Guide Part #: 70-0285, 70-0286 (See DSU-H Instructions for Use)

DSU-H Installation at Water-Dependent Equipment (e.g., ice machines, bottle fillers)

AVOID contact between filter and cleaning or sanitizing agents.⁽¹⁾

DO NOT remove blister pack from filter until indicated to protect from contamination.

NOTE: A hammer arrester should be installed in applications where water hammer may be present.

Questions or issues?
Let us help!

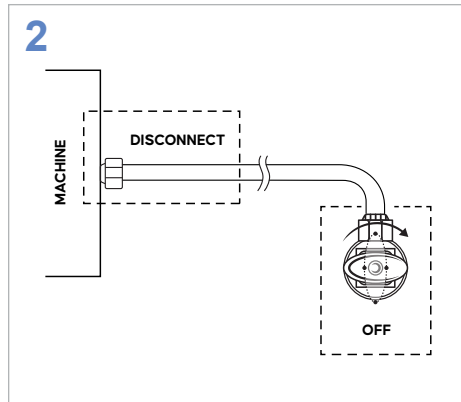
Call:
(201) 343-5202, Ext. 3



READ the entire installation guide and precautions before starting.

WASH hands before starting installation.

WEAR gloves before handling filter (do not remove blister pack).

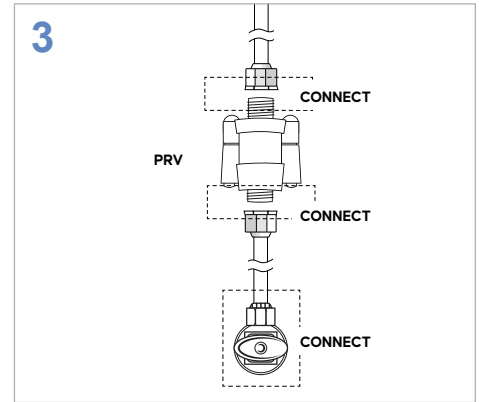


TURN OFF the water supply valve.

For in-line systems with a DSU-H previously installed: REMOVE the existing filter, and begin at Step 5-6, and conclude at Step 11-12.

DISCONNECT the supply line from the machine's inlet and water valve and discard

NOTE: Filter should be installed as close to machine as possible (e.g., after any pre-filter check valves, mixing valves, tees, etc.) to reduce risk of contamination.

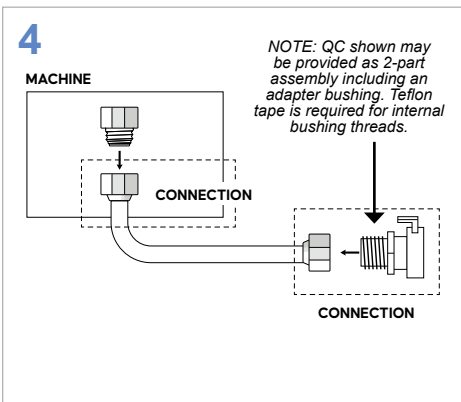


CONNECT the water valve flex line to the water valve 3/8" compression fitting.

CONNECT the water valve flex line's 1/2" NPSF fitting to the inlet side of the PRV (identify that arrows on PRV follow flow direction).

CONNECT a new flex line to the outlet side of the PRV

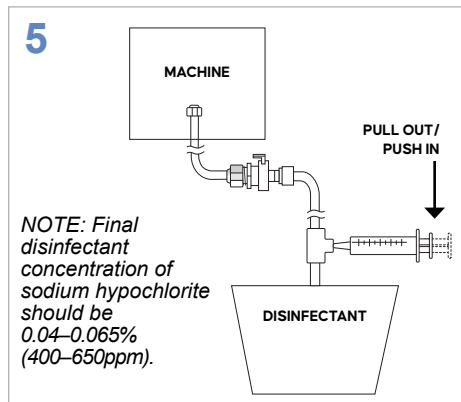
NOTE: Hand-tighten only. DO NOT USE Teflon tape.



CONNECT a new flex line to the machine's inlet.

For 70-0285 (QC): CONNECT the Quick Connector (QC) to the other end of flex line.

For 70-0286 (threaded): CONNECT thread port directly to the flex line.



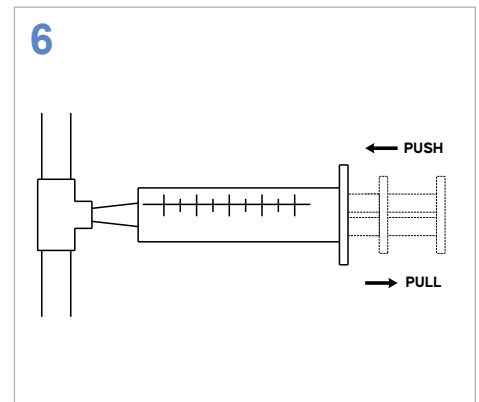
Clorox® Germicidal Bleach (Concentrated) is the recommended disinfectant choice.⁽²⁾

For 70-0286 (threaded): MODIFY the outlet of the disinfection unit by attaching QC shown in Step 3.

CONNECT the outlet of machine disinfection unit to the machine flex line QC.

PLACE the inlet hose of unit into disinfectant (eg, bleach) container.

PLACE a cup under the water dispenser and keep OPEN the dispenser. This is to vent the machine and allow for disinfectant to fill.



PULL out syringe plunger to draw the disinfectant.

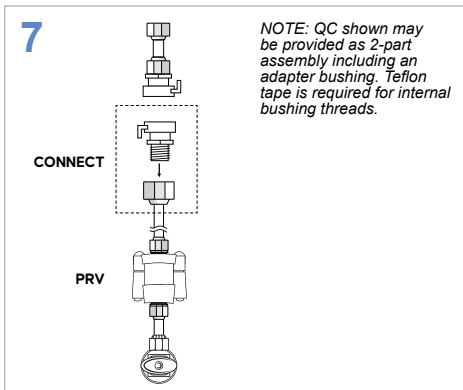
PUSH the plunger to deliver the disinfectant and continue until disinfectant is seen coming out of the machine's dispenser.

ALLOW disinfectant to dwell for 5 minutes.

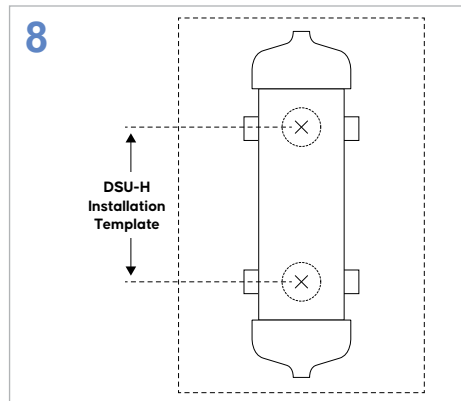
DISCONNECT the faucet disinfection unit from the flex line.

Installation Guide Part #: 70-0285, 70-0286 (See DSU-H Instructions for Use)

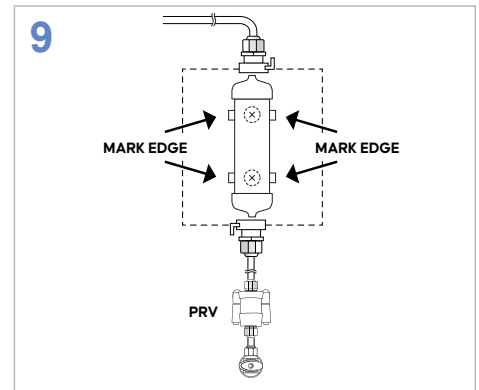
DSU-H Installation at Water-Dependent Equipment (e.g., ice machines, bottle fillers) (continued)



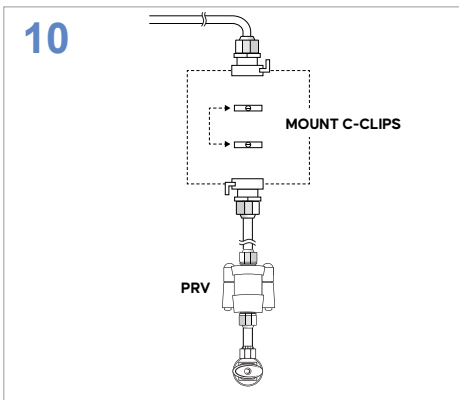
For 70-0285 (QC): CONNECT the QC to the other end of flex line.



ATTACH the DSU-H Template (provided in installation kit) against the wall in a desired position (vertical is preferred) to ensure that both flex lines are not stretched.



MARK the hole locations of the C-Clips on the wall.



MOUNT the C-Clips with 2 screws (1 each).



Diagram 1

PUT ON new gloves.

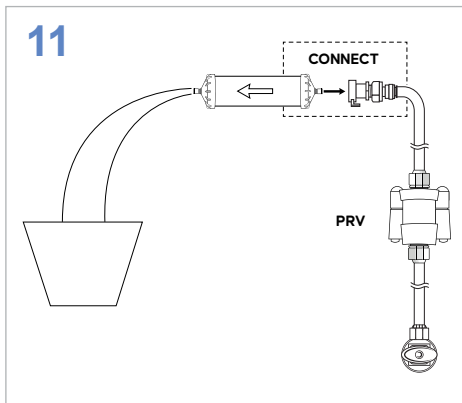
DO NOT REMOVE the blister pack from the filter. Tear open the pack ends to expose connectors as shown in Diagram 1.

HOLD the filter by the transparent portion of the blister pack and tear away the white backing.

Caution: Do not touch filter outlet to avoid contamination.

Installation Guide Part #: 70-0285, 70-0286 (See DSU-H Instructions for Use)

DSU-H Installation at Water-Dependent Equipment (e.g., ice machines, bottle fillers) (continued)



CONNECT the filter inlet to the QC of the water valve so the filter flow direction symbol is pointing away from the water valve.

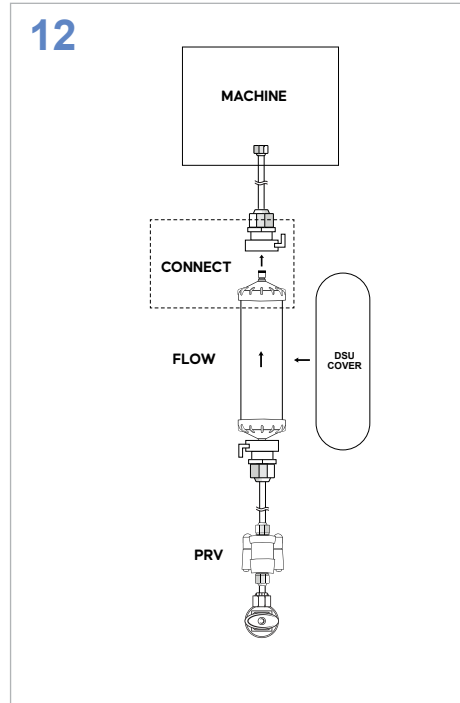
PLACE a bucket under the outlet side of filter to catch the water.

TURN ON the water valve.

ALLOW filter to prime until desired flow rate is reached and water is clear of air bubbles (3–5 minutes depending on water pressure).

TURN OFF the water valve.

NOTE: If your static pressure is below 30psi, additional time may be needed to flush the filter and purge trapped air. Please contact Nephros for assistance with this process.



REMOVE blister pack and CLIP the filter to the C-Clips so the flow symbol on filter is toward the machine's inlet.

CONNECT the machine flex line to the outlet of the filter.

OPEN the water supply valve and allow water to run through the filter for 3–5 minutes to flush out the disinfectant and purge air from the system.

USE residual test strips on running water to ensure residual disinfectant levels do not exceed 4ppm.

CHECK for any leaks and TIGHTEN any fittings if necessary.

If included, PRESS ON the DSU-H Cover onto the filter. (It is recommended to install the DSU-H Cover to shield the filter from the external environment.)

(1) Medical-grade plastics are more susceptible to cracking due to exposure to organic solvents. Alkyl dimethyl benzyl ammonium chloride (ADBAC), glycols, alcohols, ketones, silicones, and acetones are some examples of the leading organic solvents found in cleaning and sanitizing agents. Use of cleaning/sanitizing agents on the filter housings is not required and should be avoided.

(2) Wear appropriate PPE and exercise caution when handling bleach.

MANUFACTURER:

Nephros, Inc.
380 Lackawanna Place, South Orange, NJ 07079 USA
(201) 343-5202